

 **LEVEL MOUNT**[®] by Elexa
LCD MONITOR MOUNT
Installation Instructions



Articulating Universal Desktop Mount Fits 10" - 30" (25.4 cm - 76.2 cm) Flat Panel Displays - up to 35 lb (16 kg) capacity - Black

Support articulé pour moniteur et TV jusqu'à 76.2 cm (30 pouces)

Please read these Installation Instructions entirely, including the Warnings, before you start the installation and assembly of the Desktop Mount.

Veillez lire intégralement la présente notice de montage, y compris les Avertissements, avant de commencer l'installation et le montage du support.

Need Help?

Helpful Hints

If you have installation questions about your TV Wall Mount, please go to www.levelmount.com to view product tutorials.

Contacting Level Mount Customer Service

If you have questions, our trained Customer Service Department is happy to assist you 24 hours a day, 7 days a week, every day of the year. Contact Level Mount Customer Service as follows:

- In the United States dial: 1-888-229-1459
- In Europe dial: +0044 844 567 2657
- In the United Kingdom dial: 0844 567 2657
- E-mail Level Mount at www.customersupport@elexausa.com

DO NOT RETURN THIS PRODUCT TO THE STORE OR WEB SITE FROM WHICH IT WAS PURCHASED

If you believe the product is defective, has a missing or broken part or are having difficulty with assembly, please contact Level Mount directly 24 hours a day, 7 days a week, 365 days a year as listed above, for a quick and efficient solution to your problem.

Tools Required

Included



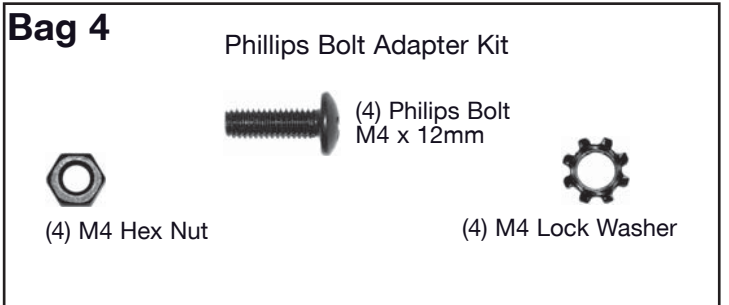
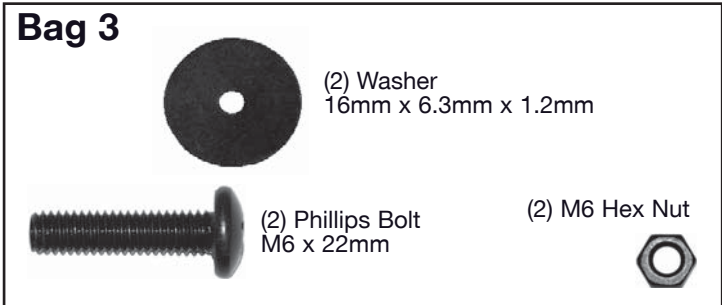
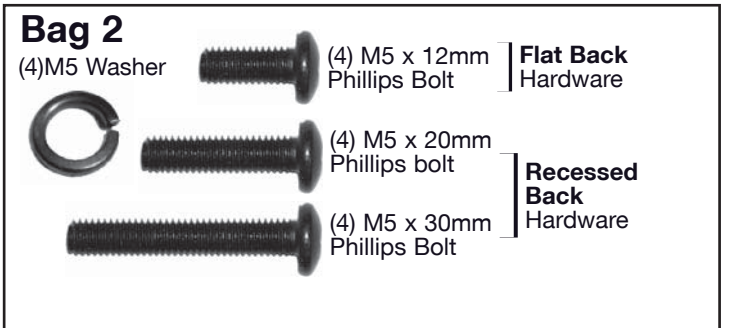
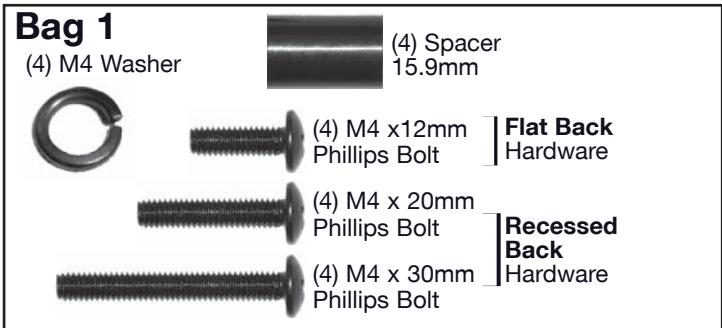
Built-in Bubble Level/
Spirit Level

Not Included



Phillips
Screwdriver

What's in the box?



Getting Started



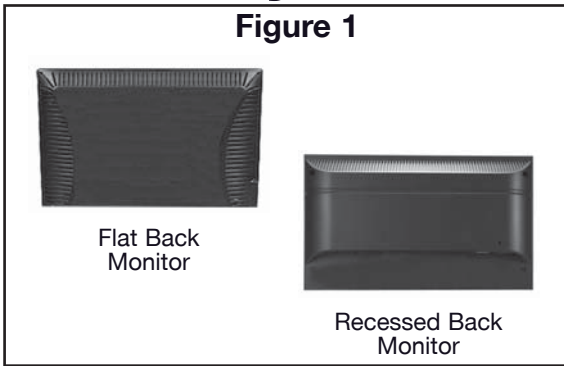
CAUTION!

This Desktop Mount was designed specifically to hold 10” – 30” (25.4cm – 76.2cm) Flat Panel Monitors and a maximum weight of up to 35 lbs (16kg). Using this product with a Flat Panel Monitor heavier than the maximum weight, or that exceeds these dimensions, may result in serious personal injury and damage to equipment and property.

1. Do not begin the installation of the Desktop Mount until you have read and understood the instructions and warnings contained in these Installation Instructions. Failure to read, thoroughly understand and follow the instructions can result in serious personal injury and damage to equipment and property. It is the installer's responsibility to make sure all components are properly assembled and installed using the instructions provided.
2. If you have questions that do not appear to be covered in these Installation Instructions, please contact us as described under the “Need Help” section above. If you are at all unsure about any step in these instructions or your ability to install the Desktop Mount safely and securely, you should seek professional help from a qualified contractor.
3. This Desktop Mount contains small items that could be a hazard if swallowed. Keep these items away from children.
4. Under no circumstances may the Desktop Mount be used outdoors. Use of this product outdoors could lead to product failure and may result in serious personal injury, or damage to equipment and property.
5. The Desktop Mount must be attached to a desk top only as specified in these Installation Instructions. Do not use the Desktop Mount for devices other than as specified in these instructions.
6. Make sure all screws and bolts are tightened before allowing the Desktop Mount to bear the full weight of the Flat Panel Monitor. Tighten screws and bolts firmly but do not over-tighten them. Once the screw is flush against the Flat Panel Monitor and the screwdriver is more difficult to turn and will not turn farther, stop; otherwise there is a risk of over-tightening the bolt. Over-tightening the screws or bolts could damage the Desktop Mount, greatly reducing its holding power. Periodic tightening may be required.
7. Screws should easily and completely thread into the Flat Panel Monitor mounting holes. If any of the screws provided are not suitable for the Desktop Mount system, the installer must not under any circumstances drill holes into the Flat Panel Monitor or into the Desktop Mount components. Using screws of improper size can damage the Flat Panel Monitor.
8. Do not lift more weight than you can handle. If necessary, use at least two people when lifting and positioning the Flat Panel Monitor on the Desktop Mount.
9. Before installing, check to make sure all parts of the Desktop Mount indicated in these Installation Instructions are included and undamaged. Never use damaged parts or try to install the Desktop Mount if you do not have all needed parts.
10. It is the installer's responsibility to select the appropriate installation location and the supporting surface on which to mount this Desktop Mount and to ensure that the Desktop Mount is anchored properly to the Desktop. It is also the installer's responsibility to ensure that the Flat Panel Monitor is properly and securely attached to the Desktop Mount using only the enclosed fasteners and components and to verify that the screws and power cords do not touch wires, pipes, or metal parts (since this could cause damage to these items or cause electrical shock).
11. Level Mount has made every effort to make these Installation Instructions accurate and complete. However, Level Mount makes no claim that the information contained herein covers all details, conditions or variations, nor does it provide for every possible contingency in connection with the installation, assembly or use of this product. Level Mount makes no representation or warranty, express or implied, regarding the accuracy, completeness or sufficiency of the information contained in this document. Level Mount is not responsible for any damage or injury caused by incorrect mounting, assembly, installation or use.

Assembly/Installation

Figure 1



Step 1 – Selecting the Correct Hardware Based on Flat Panel Monitor Back

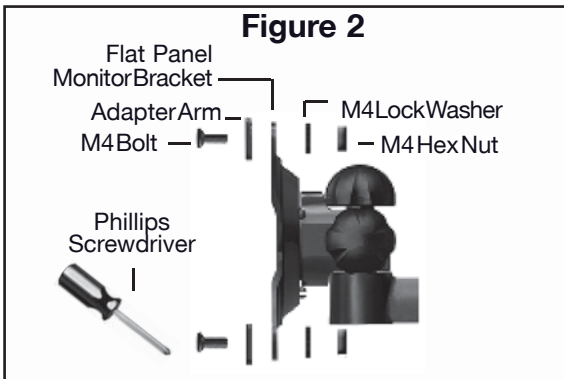
Before beginning the installation, determine if the Flat Panel Monitor has a flat back or a recessed back as shown in Figure 1. If you have a recessed back Flat Panel Monitor you may need to use the spacers (Bag 1) as shown in Figure 4 or 6. The spacer is used to fill the recessed area of the Flat Panel Monitor so that the Flat Panel Monitor Bracket is fully supported and flush with the back of the Flat Panel Monitor.

Step 2 - Adapter Arm Installation (if needed)

If the holes in the Flat Panel Monitor Bracket do not line up with the holes in the back of the Flat Panel Monitor, do not drill. Instead, follow these instructions for the Adapter Arm Installation. Otherwise, skip to Step 3.

Note: The Adapter Arms can be used for Flat Panel Monitors with VESA 200mm x 100mm hole spacing; your Flat Panel Monitor manual/product labels should specify the VESA hole spacing.

Figure 2



Step 2a - Attaching Adapter Arms to Flat Panel Monitor Bracket

Attach the first set of Adapter Arms to the Flat Panel Monitor Bracket using the following hardware as shown in Figure 2:

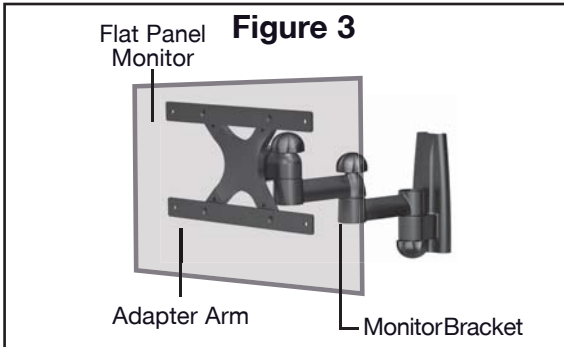
- Phillips Bolt M4 (Bag 4)
- Adapter Arms
- Flat Panel Monitor Bracket
- Lock Washers M4 (Bag 4)
- Hex Nut M4 (Bag 4)

Adjust the screws in Figure 2 to move the Adapter Arms to align with the VESA holes on the back of the Flat Panel Monitor.

Step 2b - Completed Adapter Arm Attachment

Both Adapter Arms should be attached in the same manner. When completed it will look like the photo as show in Figure 3.

Figure 3

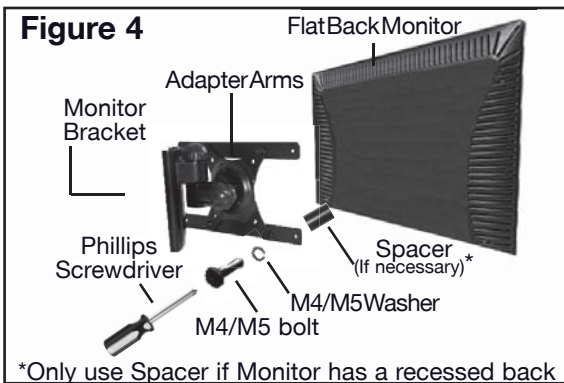


Step 2c - Attaching Adapter Arms to the back of the Flat Panel Monitor

There are bolts of varying lengths included in this package, located in (Bags 1 and 2). Please use the bolt with the appropriate length for your Flat Panel Monitor.

- Bolt M4 (Bag 1) or Bolt M5 (Bag 2)
- Washer M4 (Bag 1) or Washer M5 (Bag 2)
- An additional Washer may be needed to prevent the bolt head from recessing into the back of the Flat Panel Monitor
- Adapter Arm
- Spacer (If necessary) (Bag 1) (The Spacer is used to fill the recessed area of the Flat Panel Monitor so that the Flat Panel Monitor Bracket is fully supported and flush with the back of the Flat Panel Monitor).

Figure 4



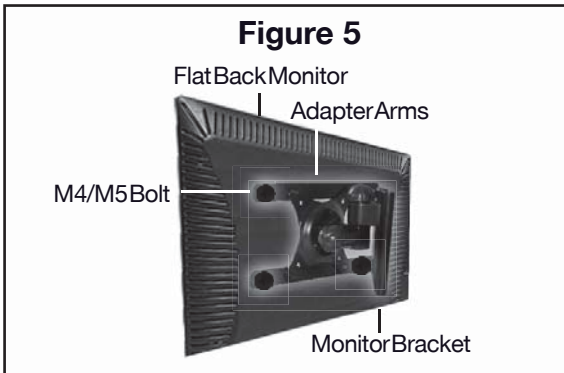
*Only use Spacer if Monitor has a recessed back

To attach the Adapter Arms to the back of the Flat Panel Monitor, attach the Adapter Arms horizontally to the Monitor Bracket using the hardware described above, placing the 2 Bolts for each arm through the holes of the Adapter Arms and carefully threading the bolts into the holes in the back of the Flat Panel Monitor. If there is any resistance remove the bolt immediately and select the correctly sized bolt that enables a secure and snug fit.

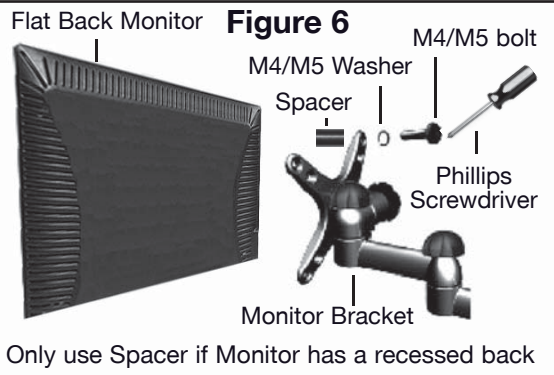
Tighten the bolts snugly to the back of the Flat Panel Monitor as shown in Figure 5. Then skip to Step 4.

Caution: Only tighten bolts until they are secure, do not over-tighten.

Figure 5



Assembly/Installation



Step 3 – Attaching Flat Panel Monitor Bracket to Back of Flat Panel Monitor

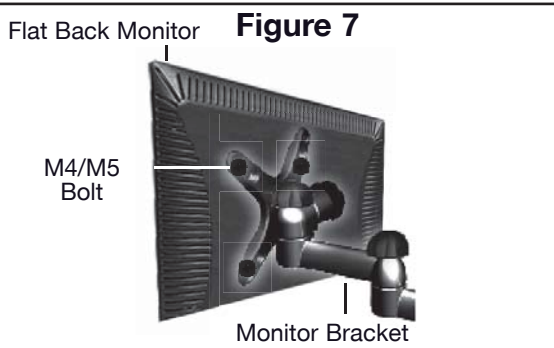
There are bolts of varying lengths included in this package, located in (Bags 1 and 2). Please use the bolt with the appropriate length for your Flat Panel Monitor.

- Bolt M4 (Bag 1) or Bolt M5 (Bag 2)
- Washer M4 (Bag 1) or Washer M5 (Bag 2)
- An additional Washer may be needed to prevent the bolt head from recessing into the back of the Flat Panel Monitor
- Adapter Arm
- Spacer (Bag 1) Only needed if the Flat Panel Monitor has a recessed back.

To attach the Flat Panel Monitor Bracket to the back of the Flat Panel Monitor, place 4 Bolts through the holes of the Flat Panel Monitor Bracket and carefully thread them into the holes in the back of the Flat Panel Monitor. If there is any resistance remove the bolt immediately and select the correctly sized bolt that enables a secure and snug fit.

Tighten the bolts snugly to the back of the Flat Panel Monitor as shown in Figure 7.

Caution: Only tighten bolts until they are secure, do not over-tighten.



Step 4 – Securing the Desktop Arm and Arm Plate to the Desk

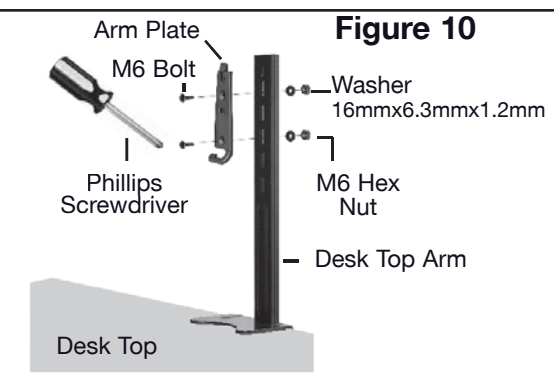
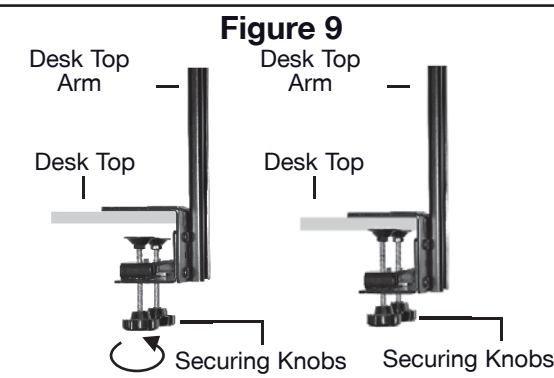
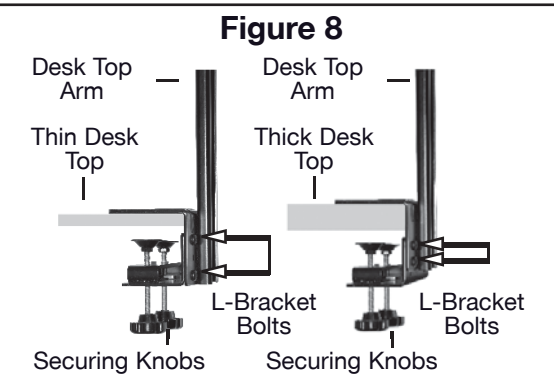
Place the L-Bracket portion of the Desktop Arm on the desk as shown in Figure 8. Turn the Securing Knobs clockwise until they are snug against the desktop as shown in Figure 9.

In most cases the L-bracket bolts will be the correct depth. However, in some cases the L-bracket will need to be adjusted due to the depth of the desk top. To adjust the bolts in the L-Bracket simply unscrew the L-Bracket bolts and fit to the desk. Then tighten the bolts securely.

Caution: The L-bracket only fits a ledge that is between .5 and 2.5 inches thick, and at least 2 inches deep. If the desktop ledge is made out of a material other than solid wood, you will need to make sure that the ledge can support the weight of the mount and Monitor/Display placed on the desktop.

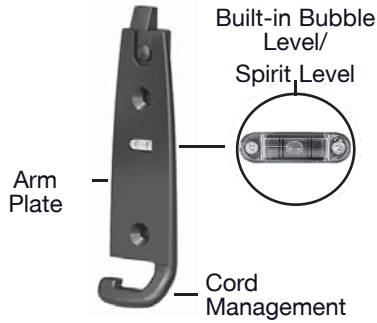
Attach the Arm Plate to the holes in the Desktop Arm, at the desired height depending on the size of the Flat Panel Monitor, as shown in Figure 10 using the hardware from (Bag 3) as follows:

- Bolt M6 (Bag 3)
- Arm Plate
- Desktop Arm
- Washer 16mm x 6.3mm x 1.2mm (Bag 3)
- Hex Nut M6 (Bag 3)



Assembly/Installation

Figure 11



Step 4 – (Continued)

The Arm Plate has a Built-in Bubble Level/Spirit Level to ensure the Flat Panel Monitor is level when attached to the Desktop Arm. The Cord Management hook at the bottom of the Arm Plate, gathers the cords from the Flat Panel Monitor to feed through the Cord Cover as shown in Figure 11.

Lift the Flat Panel Monitor with the Flat Panel Bracket attached, higher than the Arm Plate, which is attached to the Desktop Arm. Place the back of the Flat Panel Bracket over the Arm Plate and slide the Flat Panel Bracket down until it clicks together with the Arm Plate as shown in Figure 12.

The Flat Panel Bracket secured to the Arm Plate and Desktop Arm appears as shown in Figure 13.

Figure 12

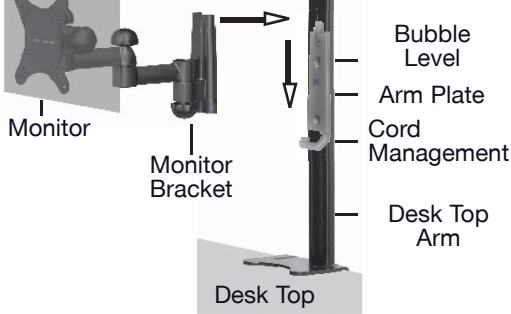


Figure 13

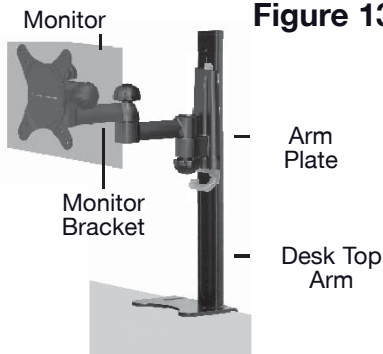
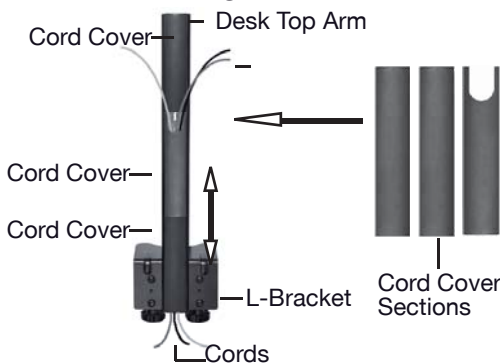


Figure 14



Step 5 – Organizing Monitor Cords

To organize and hide the Flat Panel Monitor's cords, slide the bottom two sections of Cord Cover down off the back of the Desktop Arm as shown in Figure 14 (The top section remains in place). Feed the cords from the Flat Panel Monitor into the hollow of the Desktop Arm. When cords are in place, slide the two sections previously removed back up into the channels of the Desktop Arm, starting with the cut-out scoop then the straight section. Push up until the cut-out section meets the top section of Cord Cover.

¿Necesita ayuda?

Consejos útiles

Si tiene alguna duda sobre cómo instalar su soporte de pared para televisión, por favor vaya a www.levelmount.com para ver los tutoriales del producto.

Contactar con el Servicio de Atención al Cliente Level Mount

Si tiene usted cualquier duda, nuestro departamento de Atención al Cliente le ayudará encantado las 24 horas del día, 7 días a la semana, todos los días del año. Para ponerse en contacto con el Servicio de Atención al Cliente Level Mount:

- Desde Estados Unidos, marque: 1-888-229-1459
- Desde Europa, marque: +0044 844 567 2657
- Desde Reino Unido, marque: 0844 567 2657
- Envíe un e-mail a Level Mount a www.customersupport@elexausa.com

NO DEVUELVA ESTE PRODUCTO A LA TIENDA O WEB DONDE LO COMPRÓ

Si cree usted que su producto está defectuoso, que le falta una parte o tiene una parte rota, o si está teniendo problemas para montarlo, póngase por favor directamente en contacto con Level Mount, las 24 horas del día, 7 días a la semana, 365 días al año, en los teléfonos indicados arriba, y resolveremos su problema rápida y eficazmente.

¿Qué herramientas necesita?

Incluidas



Nivel de burbuja
incorporado
Nivel

No incluidas



Destornillador
Phillips

¿Qué hay en la caja?



Soporte de Pantalla Plana
(DSK30DJ en la foto)



Brazos Placa



Cable de la Cubierta
(Viene pre-adjunta en la parte posterior de Escritorio Brazo)



Brazos Adaptador



Escritorio Brazo

Bolsa 1

(4) M4 Arandelas



(4) Separadores
15.9mm



(4) M4 x 12mm
Tornillos Phillips

Soporte TV con
respaldo plano



(4) M4 x 20mm
Tornillos Phillips

Soporte TV con
respaldo hueco



(4) M4 x 30mm
Tornillos Phillips

Soporte TV con
respaldo hueco

Bolsa 2

(4) M5 Arandelas



(4) M5 x 12mm
Tornillos Phillips

Soporte TV con
respaldo plano



(4) M5 x 20mm
Tornillos Phillips

Soporte TV con
respaldo hueco



(4) M5 x 30mm
Tornillos Phillips

Bolsa 3



(2) Arandelas
16mm x 6.3mm x 1.2mm



(2) Tornillos Phillips
M6 x 22mm

(2) M6 Tuercas



Bolsa 4

Tornillos Phillips Kit Adaptor



(4) M4 Tuercas



(4) Tornillos Phillips
M4 x 12mm



(4) M4 Arandelas de
presión

Cómo empezar



¡CUIDADO!

Este escritorio montaje fue diseñado específicamente para llevar 10 “- 30” (25,4 cm - 76,2 cm), monitores de pantalla plana y un peso máximo de hasta 35 libras (16kg). de utilizar este producto con un monitor de pantalla plana más pesado que el peso máximo, o que exceda estas dimensiones, puede resultar en lesiones personales graves y daños al equipo y la propiedad.

1. No empiece a instalar el escritorio montaje hasta no haber leído y comprendido las instrucciones y advertencias de estas Instrucciones de Instalación. Si no lee, comprende completamente y sigue estas instrucciones podría provocar lesiones personales serias o daños al equipo y propiedad. Es responsabilidad del instalador asegurarse de que todos los componentes estén correctamente montados e instalados de acuerdo con las instrucciones proporcionadas.
2. Si no encuentra la respuesta a una pregunta en estas Instrucciones de Instalación, revise por favor las preguntas frecuentes que encontrará en el apartado “Consejos Útiles” de la página de detalles del escritorio montaje, o póngase en contacto con nosotros en los teléfonos que encontrará más adelante, en el apartado “¿Necesita ayuda?”. Si no está seguro de haber comprendido alguno de los pasos de estas instrucciones, o de su capacidad para instalar el escritorio montaje de manera segura y eficaz, debería ponerse en contacto con un profesional.
3. Este escritorio montaje contiene piezas pequeñas que podrían ser peligrosas; manténgalas fuera del alcance de los niños.
4. No utilice nunca este escritorio montaje en el exterior. El uso de este producto en el exterior podría ocasionar fallos y provocar lesiones personales serias o daños al equipo y propiedad.
5. El escritorio de montaje debe ser conectado a un escritorio sólo como se especifica en estas instrucciones de instalación. no utilizar el escritorio de montaje para otros dispositivos distintos de los especificados en estas instrucciones.
6. Asegúrese de haber apretado bien todos los tornillos antes de cargar todo el peso del monitor sobre el soporte de escritorio montaje. Apriete bien los tornillos, pero sin llegar a pasarse de rosca. En cuanto vea que el tornillo está pegado al monitor y le cuesta girar el destornillador, deténgase; de lo contrario, corre el riesgo de pasarse de rosca, lo que podría provocar daños en el escritorio montaje para monitor, reduciendo considerablemente su capacidad de sujeción. Es posible que, de vez en cuando, necesite revisar que los tornillos están debidamente apretados.
7. Los tornillos deberían encajar completa y fácilmente en los agujeros del monitor. Si alguno de los tornillos proporcionados no encaja bien en el escritorio montaje, el instalador no deberá taladrar agujeros en el monitor bajo ningún concepto, ni en ninguno de los componentes del escritorio montaje. Si usa tornillos de un tamaño no adecuado podría provocar daños en el monitor.
8. No levante más peso del que pueda soportar. Se necesitan al menos dos personas para levantar y colocar el televisor sobre el soporte de pared.
9. Antes de instalar su escritorio montaje, asegúrese de tener todas las partes indicadas en estas Instrucciones de Instalación, y de que estén en buenas condiciones. No utilice nunca partes dañadas, ni intente instalar el escritorio montaje sin tener todos los elementos necesarios.
10. El instalador es responsable de escoger el lugar y la superficie más adecuados para instalar este escritorio montaje, de manera que quede perfectamente fijado a la escritorio montaje. También es responsabilidad del instalador asegurarse de que el monitor esté correcta y adecuadamente fijado en el escritorio montaje, utilizando sólo los cierres y componentes incluidos, así como de comprobar que los tornillos y cables no entren en contacto con cables, tuberías o partes de metal dentro de la escritorio montaje (puesto que podría dañar dichos elementos o provocar un cortocircuito).
11. Level Mount ha hecho todo lo posible por que estas Instrucciones de Instalación sean lo más precisas y completas posible. Sin embargo, Level Mount no puede asegurarle que la información contenida en las mismas cubra todos los detalles, condiciones o variaciones, ni que cubra todas las posibles incidentes relacionados con la instalación, montaje o uso de este producto. Level Mount no garantiza, de manera expresa ni implícita, que la información contenida en este documento sea exacta, completa o suficiente. Level Mount no se responsabiliza de ningún daño o lesión causado por el montaje, instalación o uso indebido.

Montaje/Instalación

Imagen 1



Paso 1 – Escoja el soporte correcto en función de la parte trasera de su televisor

Antes de empezar la instalación, compruebe si la parte trasera de su televisor es plana o hueca, tal y como muestra la Imagen 1. Si la parte trasera de su televisor es hueca, es posible que necesite utilizar los separadores (Bolsa 1), tal y como muestran las imágenes 4 y 6. Los separadores sirven para rellenar el hueco que queda en la parte trasera de su televisor, de manera que el soporte quede perfectamente fijado a la parte trasera de su televisor.

Paso 2 - De instalación del adaptador del brazo (si es necesario)

Si los agujeros en el Soporte de Pantalla Plana no se alinean con los agujeros en la parte posterior del monitor de pantalla plana, no taladre. en cambio, siga estas instrucciones para la instalación del brazo adaptador. de lo contrario, vaya al paso 3

Note: Los brazos adaptador se puede utilizar para los monitores de pantalla plana con VESA 200mm x 100mm espacio entre los orificios; el manual de su monitor de panel plano

Paso 2a - Fijar los brazos adaptador para Soporte de Pantalla Plana

Fijar los brazos adaptador para Soporte de Pantalla Plana adjuntar la primera serie de las armas adaptador para el soporte de panel del monitor plano con el siguiente hardware como se muestra en la figura 2:

- Tornillo de Phillips M4 (Bolsa 4)
- Brazos Adaptador
- Soporte de Pantalla Plana
- Arandelas de Presión M4 (Bolsa 4)
- Tuercas M4 (Bolsa 4)

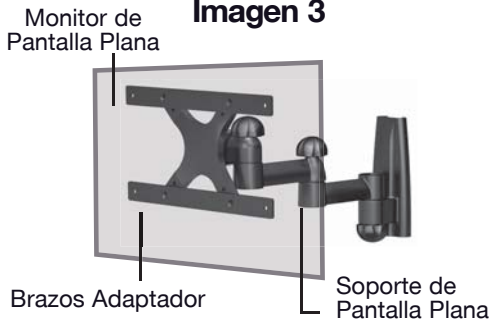
Ajuste los tornillos en la figura 2 para mover los brazos adaptador para alinear con los orificios VESA en la parte posterior del monitor de pantalla plana.

Paso 2b - Completado apego adaptador de brazo

Ambos brazos adaptador debe atribuirse manera semejante. cuando completado parece la foto como mostrar en figura 3.

Imagen 2

Imagen 3



Paso 2c - Fijar los brazos del adaptador a la parte posterior de la pantalla plana del monitor

Hay tornillos de diferentes longitudes incluidas en este paquete, que se encuentra en (bolsas de 1 y 2). por favor, utilice el perno con la longitud adecuada para su monitor de pantalla plana.

- Tornillo M4 (Bolsa 1) o Tornillo M5 (Bolsa 2)
- Arandelas M4 (Bolsa 1) or Arandelas M5 (Bolsa 2)
- Una arandela adicional puede ser necesaria para evitar que la cabeza del perno de empotrar en la parte posterior del monitor de pantalla plana
- Brazos Adaptador
- Separador (si es necesario) (Bolsa 1) - El espaciador se utiliza para rellenar el área empotrada de la pantalla plana del monitor de forma que el soporte de panel del monitor plano es totalmente compatible y al ras con la parte posterior del monitor de pantalla plana.

Para conectar los brazos adaptador a la parte posterior del monitor de pantalla plana, coloque los brazos horizontalmente adaptador al soporte de monitor utilizando el hardware descrito anteriormente, colocando los 2 tornillos para cada brazo a través de los orificios de los brazos adaptador de rosca y con cuidado los tornillos en el agujeros en la parte posterior del monitor de pantalla plana. si hay alguna resistencia a quitar el perno inmediatamente y seleccionar el tamaño correcto del perno que permite un ajuste seguro y cómodo.

Apretar los tornillos cómodamente en la parte posterior del monitor plano, como se muestra en la figura 5. A continuación, vaya al paso 4.

Cuidado: Apriete los tornillos sólo hasta que estén seguros, con cuidado de no apriete en exceso.

Imagen 4

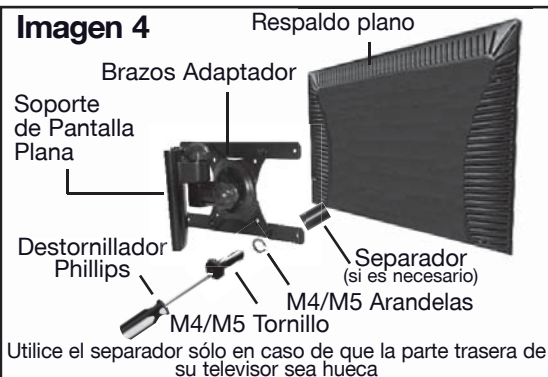
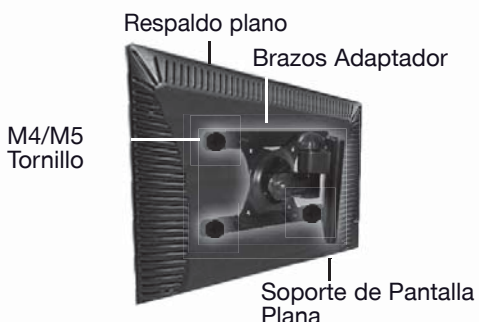
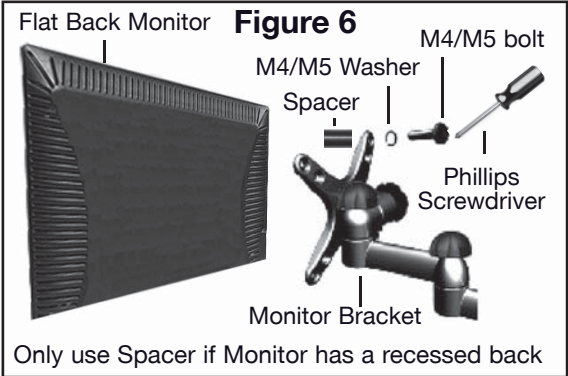


Imagen 5



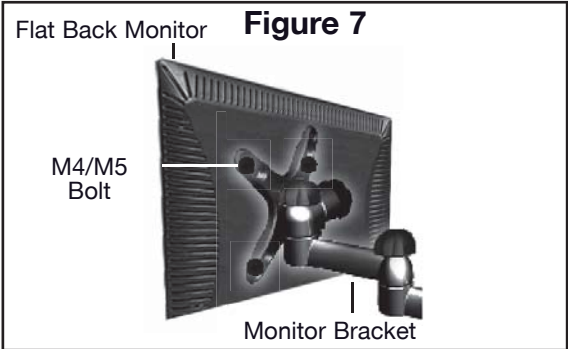
Montaje/Instalación



Paso 3 - Fijar el Soporte de Pantalla Plana en la parte posterior de la Monitor de Pantalla Plana

No son tornillos de diferentes longitudes incluidas en este paquete, que se encuentra en (Bolsas 1 y 2). por favor, utilice el tornillos con la longitud adecuada para su monitor de pantalla plana.

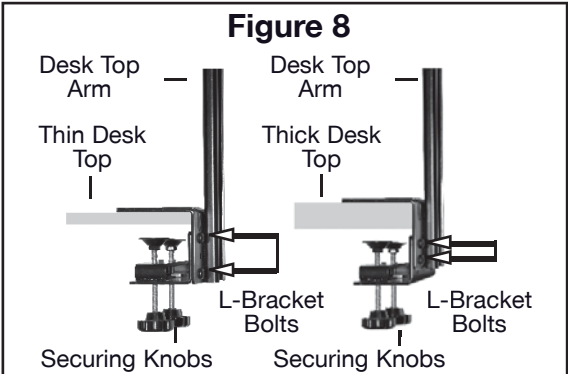
- Tornillo M4 (Bolsa 1) or Tornillo M5 (Bolsa 2)
- Arandela M4 (Bag 1) or Arandela M5 (Bag 2)
- Una arandela adicional puede ser necesaria para evitar que la cabeza del perno de empotrar en la parte posterior del monitor de pantalla plana
- Brazos Adaptador
- Separador (si es necesario) (Bolsa 1) - El espaciador se utiliza para rellenar el área empotrada de la pantalla plana del monitor de forma que el soporte de panel del monitor plano es totalmente compatible y al ras con la parte posterior del monitor de pantalla plana.



Adjuntar fije el soporte de panel del Monitor de Pantalla Plana en la parte posterior del monitor de pantalla plana, coloque los 4 tornillos a través de los orificios del soporte del panel del monitor plano y cuidadosamente los hilos en los agujeros en la parte posterior del monitor de pantalla plana. si hay alguna resistencia a quitar el perno inmediatamente y seleccionar el tamaño correcto del perno que permite un ajuste seguro y cómodo.

Apretar los tornillos cómodamente en la parte posterior del monitor plano, como se muestra en la figura 7.

Cuidado: Apriete los tornillos sólo hasta que estén seguros, con cuidado de no apriete en exceso.

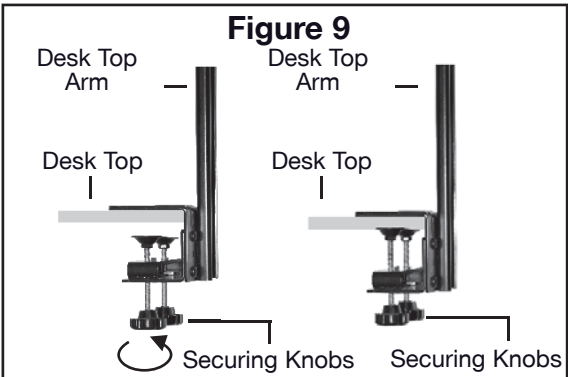


Paso 4 – Securing the Desktop Arm and Arm Plate to the Desk

Place the L-Bracket portion of the Desktop Arm on the desk as shown in Figure 8. Turn the Securing Knobs clockwise until they are snug against the desktop as shown in Figure 9.

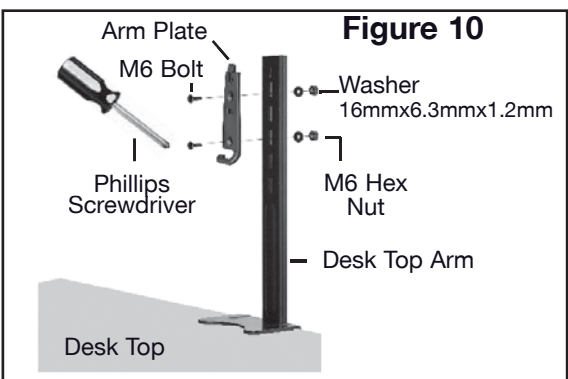
In most cases the L-bracket bolts will be the correct depth. However, in some cases the L-Bracket will need to be adjusted due to the depth of the desk top. To adjust the bolts in the L-Bracket simply unscrew the L-Bracket bolts and fit to the desk. Then tighten the bolts securely.

Caution: The L-bracket only fits a ledge that is between .5 and 2.5 inches thick, and at least 2 inches deep. If the desktop ledge is made out of a material other than solid wood, you will need to make sure that the ledge can support the weight of the mount and Monitor/ Display placed on the desktop.



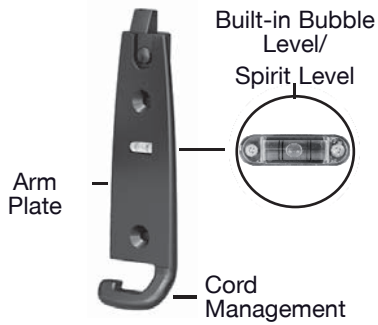
Attach the Arm Plate to the holes in the Desktop Arm, at the desired height depending on the size of the Flat Panel Monitor, as shown in Figure 10 using the hardware from (Bag 3) as follows:

- Bolt M6 (Bag 3)
- Arm Plate
- Desktop Arm
- Washer 16mm x 6.3mm x 1.2mm (Bag 3)
- Hex Nut M6 (Bag 3)



Montaje/Instalación

Figure 11



Step 4 – (Continued)

The Arm Plate has a Built-in Bubble Level/Spirit Level to ensure the Flat Panel Monitor is level when attached to the Desktop Arm. The Cord Management hook at the bottom of the Arm Plate, gathers the cords from the Flat Panel Monitor to feed through the Cord Cover as shown in Figure 11.

Lift the Flat Panel Monitor with the Flat Panel Bracket attached, higher than the Arm Plate, which is attached to the Desktop Arm. Place the back of the Flat Panel Bracket over the Arm Plate and slide the Flat Panel Bracket down until it clicks together with the Arm Plate as shown in Figure 12.

The Flat Panel Bracket secured to the Arm Plate and Desktop Arm appears as shown in Figure 13.

Figure 12

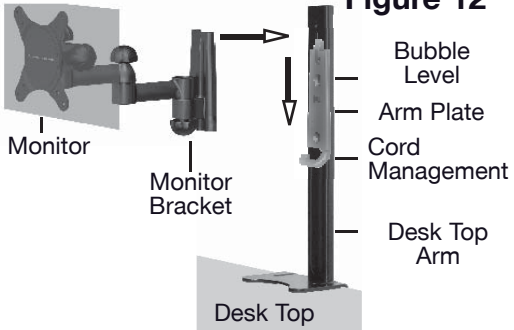


Figure 13

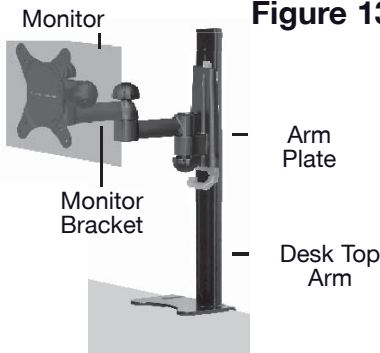
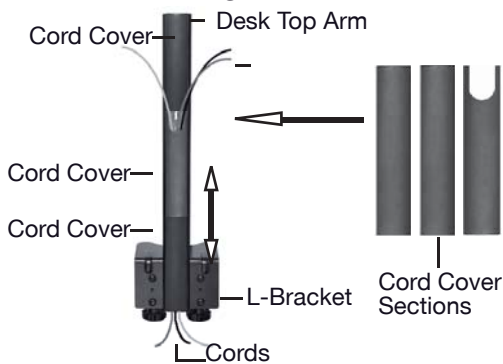


Figure 14



Step 5 – Organizing Monitor Cords

To organize and hide the Flat Panel Monitor's cords, slide the bottom two sections of Cord Cover down off the back of the Desktop Arm as shown in Figure 14 (The top section remains in place). Feed the cords from the Flat Panel Monitor into the hollow of the Desk Top Arm. When cords are in place, slide the two sections previously removed back up into the channels of the Desk Top Arm, starting with the cut-out scoop then the straight section. Push up until the cut-out section meets the top section of Cord Cover.

Besoin d'aide?

Conseils Utiles

Si vous avez des questions sur l'installation de votre TV Support Mural, s'il vous plaît aller à www.levelmount.com pour voir les tutoriels produit.

Contacts Level Mount Service à la Clientèle

Si vous avez des questions, notre formation Service à la clientèle est heureux de vous aider, 24 heures par jour, 7 jours par semaine, tous les jours de l'année. Contactez Level Mount Service à la clientèle comme suit:

- Dans les États-Unis appelez: 1-888-229-1459
- En Europe appelez: +0044 844 567 2657
- Dans le Royaume-Uni appelez: 0844 567-2657
- E-mail Level Mount au www.customersupport@elexausa.com

NE PAS RETOURNER CE PRODUIT SUR LE WEBSITE OU MAGASIN DE VOUS L'AVEZ ACHETÉ

Si vous croyez que le produit est défectueux, a une partie manquante ou cassée ou ont de la difficulté avec l'assemblage, s'il vous plaît contacter Level Mount directement 24 heures par jour, 7 jours par semaine, 365 jours par an comme indiqué ci-dessus, pour une solution rapide et efficace à votre problème.

Outils Nécessaires

Inclus



Niveau à bulle

Ne sont pas compris



Tournevis
Phillips

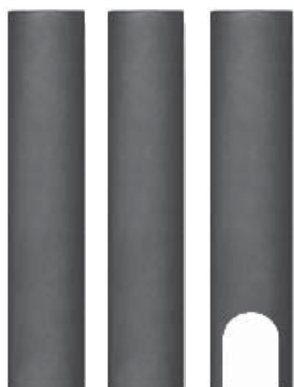
Qu'y a-t-il dans la boîte?



Support d'écran plat
(DSK30DJ est Montré)



Platine du bras



Goulotte de protection du cordon
(Livré pré-fixée au dos de Support pour Bureau)



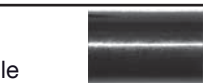
Bras adaptateurs



Support pour Bureau

Sachet 1

(4) M4 Rondelle Frein

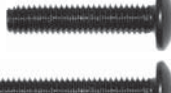


(4) Rondelle d'espacement 15,9mm



(4) M4X12mm Boulon Cruciforme

Équipement arrière plat



(4) M4X20mm Boulon Cruciforme

Équipement arrière convexe ou concave



(4) M4X30mm Boulon Cruciforme

Sachet 3



(2) Rondelle 16mmx6,3mmx1,2mm



(2) M6X22mm Boulon Cruciforme

(2) M6 Écrou hexagonal



Sachet 2

(4) M5 Rondelle Frein



(4) M5X12 mm Boulon Cruciforme

Équipement arrière plat



(4) M5X20 mm Boulon Cruciforme

Équipement arrière convexe ou concave



(4) M5X30 mm Boulon Cruciforme

Sachet 4

Kit d'adaptation Boulon Phillips



(4) M4 Écrou hexagonal



(4) M4X12mm Boulon Cruciforme



(4) M4 Rondelle Frein

Pour Commencer



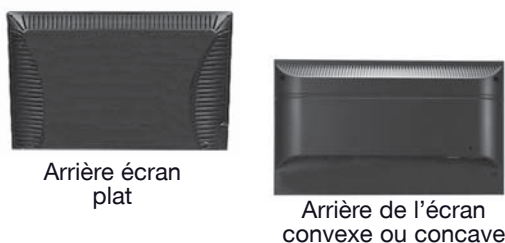
AVERTISSEMENT !

Ce support de moniteur a été spécialement conçu pour supporter des écrans plats de 25,4 cm à 76,2 cm (10 po à 30 po) pouvant peser jusqu'à 16 kg (35 lb). Si vous utilisez ce produit pour des écrans plats excédant le poids maximum, ou les dimensions indiquées, cela peut engendrer des blessures sérieuses ainsi que des dommages à l'équipement et aux biens immobiliers.

1. N'entreprenez pas l'installation du support de moniteur tant que vous n'avez pas lu ni compris les instructions et les avertissements figurant dans les instructions de montage. Si vous n'avez pas lu, compris et suivi soigneusement les instructions, cela pourra engendrer des blessures corporelles sérieuses ainsi que des dommages à l'équipement et aux biens immobiliers. L'installateur doit s'assurer que tous les composants sont correctement montés et installés en suivant les instructions fournies.
2. Si vous avez des questions qui ne semblent pas trouver de réponse dans les présentes Instructions d'installation, veuillez contactez-nous tel qu'indiqué dans la section « Besoin d'aide » ci-dessus. Si vous avez un doute concernant une quelconque étape de ces instructions ou sur votre capacité à installer le support de moniteurs de manière sûre, vous devez demander l'aide d'un professionnel qualifié.
3. Ce support de moniteur comporte de petites pièces qui peuvent s'avérer dangereuses en cas d'ingestion. Veuillez garder ces articles hors de portée des enfants.
4. Le support de moniteur ne devra en aucun cas être utilisé à l'extérieur. L'utilisation de ce produit à l'extérieur pourrait provoquer une défaillance du produit et entraîner des blessures graves ou des dommages à l'équipement et aux biens immobiliers.
5. Le support mural de moniteur doit être uniquement fixé à un moniteur tel qu'indiqué dans les Instructions de montage. N'utilisez pas le support de moniteur pour des appareils autres que ceux précisés aux présentes instructions.
6. Assurez-vous que les vis et les boulons sont serrés avant de faire supporter le poids d'un écran plat aux supports de moniteurs. Serrez fermement les vis et les boulons, mais ne serrez pas trop. Une fois que la vis est à plat contre l'écran plat et qu'il devient plus difficile de tourner le tournevis, arrêtez ; si vous continuez, vous pourriez trop serrer le boulon. Dans ce cas, vous pourriez endommager le support d'écran, ce qui réduirait considérablement son pouvoir de maintien. Il est possible de devoir resserrer périodiquement.
7. Les vis doivent facilement et complètement passer dans les trous de montage du moniteur. Si l'une des vis fournies n'est pas compatible avec les systèmes du support de moniteur, l'installateur ne doit en aucun cas percer de trous dans l'écran plat ni dans un composant du support moniteur. L'utilisation de vis d'une taille non adaptée peut endommager l'écran plat.
8. Ne soulevez pas plus de poids que vous ne pouvez supporter. Si nécessaire, deux personnes devront porter l'écran plat pour le positionner sur le support.
9. Avant installation, assurez-vous que toutes les pièces du support de moniteur mentionnées dans la notice d'installation sont présentes et en bon état. N'utilisez jamais de pièces abîmées et n'essayez jamais d'installer le support de moniteur si vous n'avez pas toutes les pièces requises.
10. Il est de la responsabilité de l'installateur de choisir l'emplacement de l'installation et la surface d'appui sur laquelle monter ce support pour moniteur, et de s'assurer que le support est correctement fixé au moniteur. Il est aussi de la responsabilité de l'installateur de s'assurer que l'écran plat est correctement et solidement fixé au support en utilisant uniquement les attaches et les composants ci-joints, et de vérifier que les vis et cordons ne sont pas en contact avec des fils électriques, des tuyaux ou des pièces métalliques (car cela pourrait endommager ces éléments ou causer un choc électrique).
11. Level Mount se sont efforcées de rendre cette Notice d'installation précise et complète. Cependant, Level Mount ne prétend pas que les informations contenues ici couvrent tous les détails, conditions ou variations, ou qu'elles prévoient toutes les éventualités en rapport avec l'installation, le montage ou l'utilisation de ce produit. Level Mount ne fait aucune déclaration ni garantie, de manière explicite ou implicite, quant à l'exactitude, l'exhaustivité ou la suffisance des informations contenues dans ce document. Level Mount n'est pas responsable d'aucun dommage ou préjudice causé par un montage, assemblage incorrect, une installation ou une utilisation incorrecte.

Assemblage/Installation

Figure 1



Étape 1 – Choix du matériel approprié en fonction de la surface arrière de l'écran plat

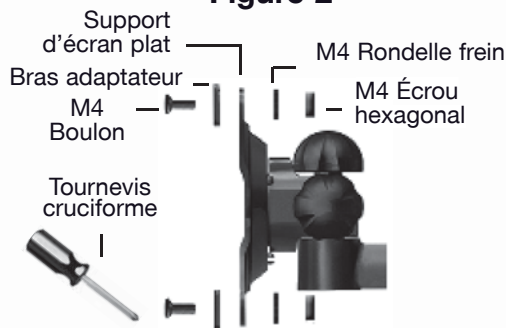
Avant de commencer l'installation, il faut déterminer si l'arrière de l'écran plat est concave ou convexe tel qu'illustré en Figure 1. Si votre écran possède une surface arrière convexe ou concave, vous pourriez devoir utiliser les entretoises (Sachet 1) tel qu'illustré en Figure 4 ou 6. L'entretoise est utilisée pour remplir la zone convexe ou concave de l'écran plat afin que le support s'encastre totalement avec l'arrière de l'écran plat.

Étape 2 - Installation du bras adaptateur (si nécessaire)

Si les trous du support d'écran plat ne sont pas alignés avec les trous qui se trouvent à l'arrière de l'écran, ne percez pas. Suivez plutôt ces instructions relatives à l'installation du bras adaptateur. Autrement, passez à l'étape 3.

Note: Les bras adaptateurs peuvent être utilisés pour des écrans plats avec un espacement du trou VESA de 200 mm x 100 mm ; le manuel/les étiquettes produit de votre écran plat devraient préciser l'espacement des trous VESA.

Figure 2



Étape 2a - Fixation des bras adaptateurs au support de l'écran plat

Fixez le premier ensemble de bras adaptateurs au support d'écran plat en utilisant les équipements suivants tel qu'illustré en Figure 2 :

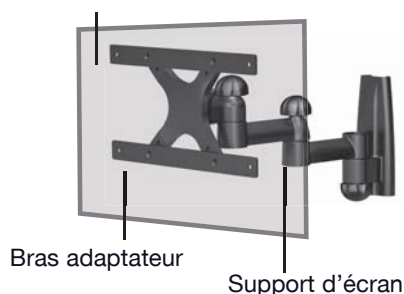
- Boulon cruciforme M4 (Sachet 4)
- Bras adaptateurs
- Support d'écran plat
- Rondelles frein M4 (Sachet 4)
- Écrou hexagonal M4 (Sachet 4)

Réglez les vis en Figure 2 pour déplacer les bras adaptateurs afin de les aligner avec les trous VESA au dos de l'écran plat.

Étape 2b - Fixation du bras adaptateur complète

Les deux bras adaptateurs devront être fixés de la même manière. Lorsque cela sera fait, ils devront apparaître comme indiqué en Figure 3.

Figure 3



Étape 2c - Fixation des bras adaptateurs à l'arrière de l'écran plat

Ce paquet contient des boulons de différentes longueurs (Sachets 1 et 2). Veuillez utiliser le boulon de la longueur appropriée à votre écran plat.

- Boulon M4 (Sachet 1) ou Boulon M5 (Sachet 2)
- Rondelle M4 (Sachet 1) ou Rondelle M5 (Sachet 2)
- Vous pourriez avoir besoin d'une rondelle supplémentaire pour empêcher que la tête du boulon ne s'encastre dans l'arrière de votre écran plat
- Bras adaptateur
- Entretoise (Sachet 1) Seulement si la surface arrière de votre écran plat est convexe ou concave.

Pour fixer les bras adaptateurs à l'arrière de l'écran plat, fixez horizontalement les bras adaptateurs au support de l'écran en utilisant l'équipement décrit ci-dessus, en plaçant les deux boulons de chacun des bras à travers les trous des bras adaptateurs, et vissez soigneusement les boulons dans les trous situés à l'arrière de l'écran plat. S'il y a une résistance, retirez le boulon immédiatement et choisissez un boulon de bonne taille qui permette un ajustement solide et sûr. Serrez les boulons à l'arrière de l'écran sans trop forcer tel qu'illustré en Figure 5. Passez ensuite à l'étape 4.

Avertissement : serrez seulement les boulons jusqu'à ce qu'ils soient sécurisés, ne serrez pas trop.

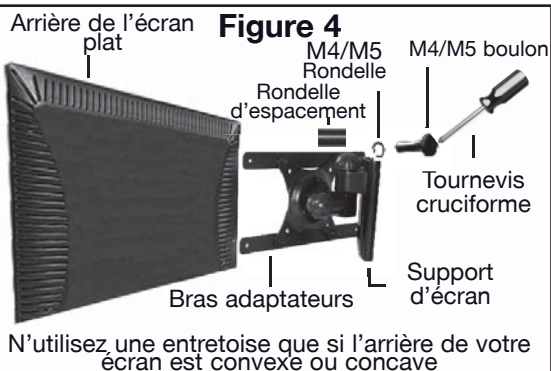
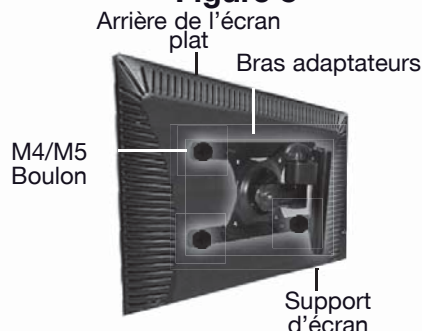
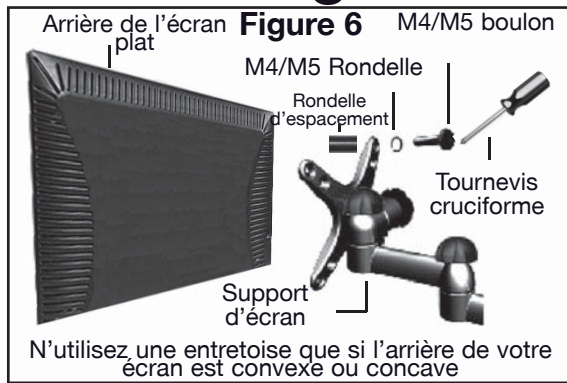


Figure 5



Assemblage/Installation



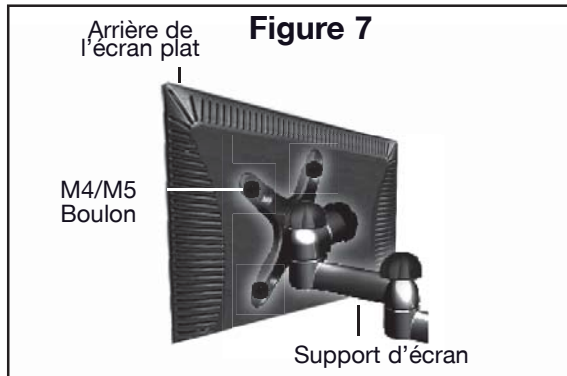
Étape 3 – Fixer le support de l'écran plat à l'arrière de l'écran plat

Ce paquet contient des boulons de différentes longueurs (Sachets 1 et 2). Veuillez utiliser le boulon de la longueur appropriée à votre écran plat.

- Boulon M4 (Sachet 1) ou Boulon M5 (Sachet 2)
- Rondelle M4 (Sachet 1) ou Rondelle M5 (Sachet 2)
- Vous pourriez avoir besoin d'une rondelle supplémentaire pour empêcher que la tête du boulon ne s'encastre dans l'arrière de votre écran plat
- Bras adaptateur
- Entretoise (Sachet 1) Seulement si la surface arrière de votre écran plat est convexe ou concave.

Pour fixer le support à l'arrière de l'écran plat, placez quatre boulons à travers les trous du support d'écran plat et vissez soigneusement les boulons dans les trous à l'arrière de l'écran plat. S'il y a une résistance, retirez le boulon immédiatement et choisissez un boulon de bonne taille qui permette un ajustement solide et sûr. Serrez les boulons à l'arrière de l'écran plat sans trop forcer tel qu'illustré en Figure 7.

Avertissement : Serrez seulement les boulons jusqu'à ce qu'ils soient sécurisés, ne serrez pas trop.



Étape 4 – Arrimer la tige verticale du support et la platine du bras au bureau

Placez la partie de l'équerre du support vertical sur le bureau comme indiqué en Figure 8. Tournez les boutons de fixation dans le sens des aiguilles d'une montre jusqu'à ce qu'ils soient fermement fixés contre le bureau comme indiqué en Figure 9.

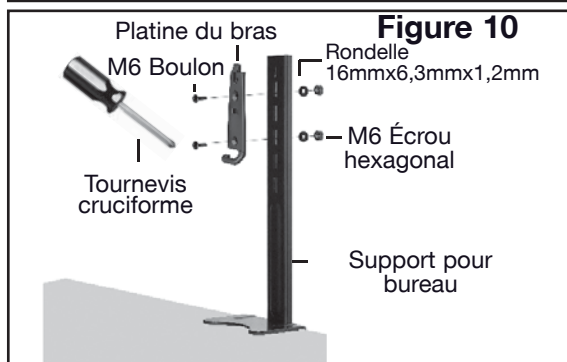
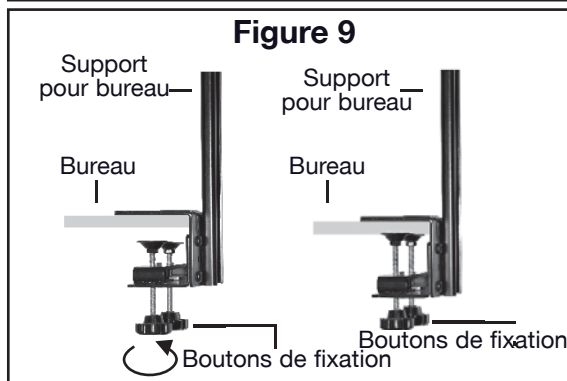
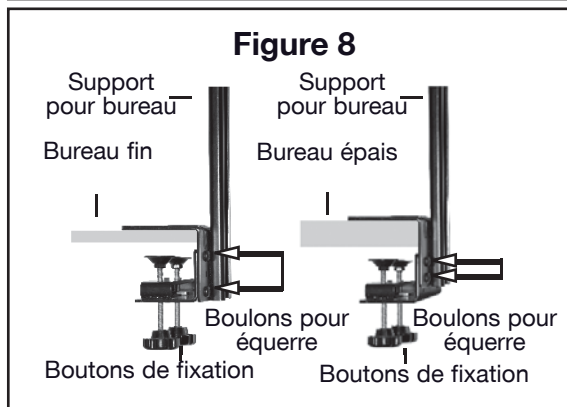
Dans la plupart des cas, les boulons de l'équerre présenteront la profondeur requise. Cependant dans certains cas il sera nécessaire de régler l'équerre du fait de l'épaisseur du bureau. Pour cela, il suffit de glisser les boulons de l'équerre et de l'adapter au bureau. Serrez ensuite fermement les boulons.

Avertissement : l'équerre ne s'adapte qu'à des rebords dont l'épaisseur est comprise entre 1,27 et 6,35 cm (0,5 et 2,5 po) et au moins 5,08 cm (2 po) de profondeur. Si le rebord du bureau est fait dans un autre matériau que du

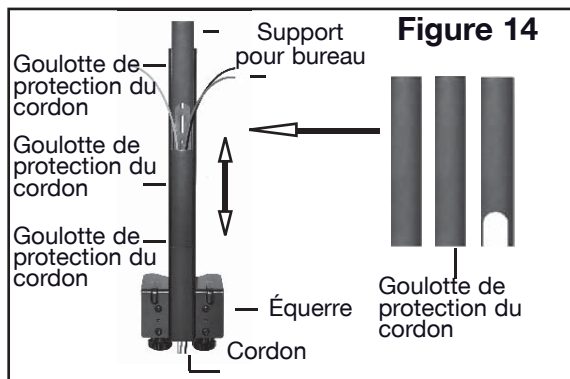
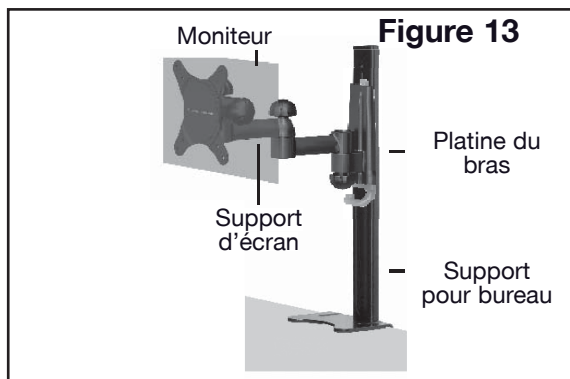
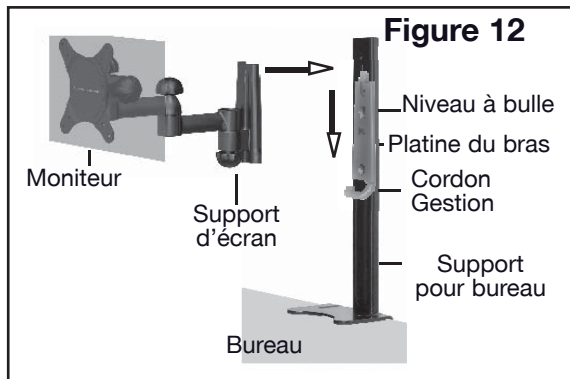
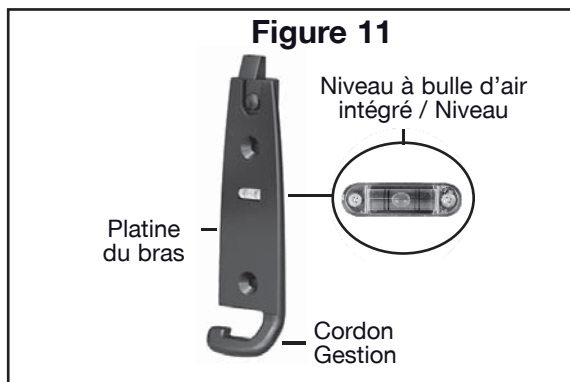
bois massif, vous devrez vous assurer que le rebord peut supporter le poids support et moniteur/écran placé sur le bureau.

Fixez la platine du bras aux trous du support vertical, à la hauteur requise en fonction de la taille du moniteur, comme indiqué en Figure 10 en utilisant le matériel du Sachet 3 comme suit :

- Boulon M6 (Sachet 3)
- Platine du bras
- Support pour bureau
- Rondelle 16 mm x 6,3 mm x 1,2 mm (Sachet 3)
- Écrou hexagonal M6 (Sachet 3)



Assemblage/Installation



Étape 4 – (Suite)

La platine du bras est munie d'un niveau à bulle intégré / niveau pour garantir que l'écran plat est de niveau lorsqu'il est fixé au support vertical. Le crochet d'enroulement du cordon situé dans la partie inférieure de la platine du bras rassemble les cordons du moniteur qui passent par la goulotte de protection du cordon comme indiqué en Figure 11.

Soulevez l'écran plat fixé sur son support, plus haut que la platine du bras, qui est fixée au support de bureau. Placez l'arrière du support du moniteur sur la platine du bras et faites coulisser le support vers le bas jusqu'à ce qu'il s'enclenche avec la platine du bras comme indiqué en Figure 12.

Le support d'écran plat fixé à la platine du bras et au support de bureau est montré en Figure 13.

Étape 5 – Fixation des goulottes de protection d'enroulement des cordons

Pour organiser et cacher les cordons du moniteur, glissez la goulotte de protection du cordon sur les cordons puis faites-la glisser vers le bas du support vertical comme indiqué en Figure 14. Commencez par la goulotte ayant une forme rectangulaire, laquelle s'ouvre dans la partie inférieure afin que les cordons puissent être connectés à une prise. Installez la goulotte de protection du cordon présentant une découpe en dernier, afin que les cordons puissent être reliés au moniteur.

Brauchen Sie Hilfe?

Nützliche Hinweise

Wenn Sie Fragen zur Montage Ihrer Tischhalterung haben, lesen Sie bitte die „Nützlichen Hinweise“, die Sie auf der oder über die Produktdetailseite der Tischhalterung finden.

Wenden Sie sich an den Amazon-Kundendienst

Sollten Sie Fragen haben, können Sie sich auch an den Kundendienst von Amazon wenden, indem Sie die Hilfeseite der jeweiligen Website aufrufen und dort am rechten Seitenrand auf „Kontakt“ klicken: www.amazon.com/help, www.amazon.co.uk/help, www.amazon.de/hilfe, www.amazon.fr/aide und www.amazon.cn/help. In den USA können Sie darüber hinaus auf der Produktdetailseite für die Tischhalterung unter „Click to Call“ die Anruuffunktion verwenden.

Auf Montageanleitungen und „Nützliche Hinweise“ zugreifen

Sie können von der Produktdetailseite der Tischhalterung aus auf die Montageanleitungen und „Nützliche Hinweise“ zugreifen. Außerdem finden Sie Übersetzungen in folgende Sprachen auf den unten angegebenen Websites:

Englisch: Produktinformationen und Anleitungen in englischer Sprache finden Sie unter: www.amazon.co.uk/basics-manuals

Français: Pour avoir des informations produit et des instructions en français, veuillez visiter ces pages: www.amazon.fr/manuels-basics

Deutsch: Für Informationen und deutschsprachige Anweisungen besuchen Sie bitte www.amazon.de/basics-bedienungsanleitungen

Italiano: Per informazioni e istruzioni in italiano, si rimanda al sito www.amazon.co.uk/basics-manuals, www.amazon.fr/manuels-basics or www.amazon.de/basics-bedienungsanleitungen

Español: Para consultar la información y las instrucciones del producto en español, visite www.amazon.co.uk/basics-manuals, www.amazon.fr/manuels-basics o www.amazon.de/basics-bedienungsanleitungen

Nederlands: Basics www.amazon.de/basics-bedienungsanleitungen Nederlands: Voor productinformatie en instructies in het Nederlands, ga naar www.amazon.co.uk/basics-manuals, www.amazon.fr/manuels-basics of www.amazon.de/basics-bedienungsanleitungen

Polska: Aby uzyskać informacje i instrukcje po polsku, prosimy odwiedzić strony www.amazon.co.uk/basics-manuals, www.amazon.fr/manuels-basics lub www.amazon.de/basics-bedienungsanleitungen

Ελληνικά: Για πληροφορίες για το προϊόν και οδηγίες στα ελληνικά παρακαλώ επισκεφθείτε τις παρακάτω ιστοσελίδες www.amazon.co.uk/basics-manuals, www.amazon.fr/manuels-basics ή www.amazon.de/basics-bedienungsanleitungen

Português: Para informações do produto e instruções em português, favor visitar www.amazon.co.uk/basics-manuals, www.amazon.fr/manuels-basics ou www.amazon.de/basics-bedienungsanleitungen

Dansk: Du kan finde produktoplysninger og anvisninger på dansk ved at besøge www.amazon.co.uk/basics-manuals, www.amazon.fr/manuels-basics eller www.amazon.de/basics-bedienungsanleitungen

Magyar: A magyar nyelvű termékinformációt és utasításokat megtalálhatja a következő oldalon: www.amazon.co.uk/basics-manuals, www.amazon.fr/manuels-basics or www.amazon.de/basics-bedienungsanleitungen

Slovenščina: Za informacije o izdelku in navodila v slovenskem jeziku običajno www.amazon.co.uk/basics-manuals, www.amazon.fr/manuels-basics ali www.amazon.de/basics-bedienungsanleitungen

Български език: За информация за продукта и инструкции на български език, моля, посетете: www.amazon.co.uk/basics-manuals, www.amazon.fr/manuels-basics или www.amazon.de/basics-bedienungsanleitungen

Eesti: Toote informatsiooni ja juhised leiate eesti keeles, kui külastate veebilehti: www.amazon.co.uk/basics-manuals, www.amazon.fr/manuels-basics või www.amazon.de/basics-bedienungsanleitungen

Lietuvių k.: Dėl informacijos apie gaminį ir instrukcijų lietuvių k. apsilankykite www.amazon.co.uk/basics-manuals, www.amazon.fr/manuels-basics arba www.amazon.de/basics-bedienungsanleitungen

Svenska: För att se produktinformation och instruktioner på svenska gå till www.amazon.co.uk/basics-manuals, www.amazon.fr/manuels-basics eller www.amazon.de/basics-bedienungsanleitungen

Suomi: tuotetiedot ja ohjeet suomeksi löytyvät seuraavista osoitteista: www.amazon.co.uk/basics-manuals, www.amazon.fr/manuels-basics tai www.amazon.de/basics-bedienungsanleitungen

Was befindet sich im Paket?



Flachbildschirmhalt



Befestigungsplatte



Kabelabdeckung



Adapterarme



Tischarm

Nützliche Hinweise Wenn Sie Fragen zur Montage Ihrer Tischhalterung haben, lesen Sie bitte die „Nützlichen Hinweise“, die Sie auf der bzw. über die Produktdetailseite der Tischhalterung finden. Wenden Sie sich an den Amazon-Kundendienst Wenn Sie Fragen haben, können Sie sich auch an den Kundendienst von Amazon wenden, indem Sie die Hilfeseite der jeweiligen Website aufrufen und dort am rechten Seitenrand auf „Kontakt“ klicken: www.amazon.com/help, www.amazon.co.uk/help, www.amazon.de/hilfe, www.amazon.fr/aide und www.amazon.cn/help. In den USA können Sie darüber hinaus auf der Produktdetailseite für die Tischhalterung unter „Click to Call“ die Anruf Funktion verwenden.

www.levelmount.com

1-866-229-1459

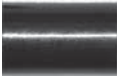
EU: +0044 844 567 2657


UK: 0844 567 2657


©2011 Level Mount - Patents Pending


Was befindet sich im Paket?

Beutel 1


(4) M4 Unterlegscheibe  (4) Abstandhalter 15.9mm


 (4) M4X12 mm Phillips-Schraube } Teile für Gerät mit ebener Rückseite


 (4) M4X20 mm Phillips-Schraube } Teile für Gerät mit Aussparung auf der Rückseite


 (4) M4X30 mm Phillips-Schraube

Beutel 2



(4) M5 Unterlegscheibe 


 (4) M5X12mm Phillips-Schraube } Teile für Gerät mit ebener Rückseite

 (4) M5X20mm Phillips-Schraube } Teile für Gerät mit Aussparung auf der Rückseite

 (4) M5X30mm Phillips-Schraube


Beutel 3



(2) M6 Sechskantmutter  (2) Unterlegscheibe 16mmx6.3mmx1.2mm 

 (2) M6X22mm Phillips-Schraube

Beutel 4

Phillips-Schrauben und Zubehör für die Adapterarme

 (4) M4X12mm Phillips-Schraube

 (4) M4 Sechskantmutter  (4) M4 Sicherungsscheibe

Nützliche Hinweise Wenn Sie Fragen zur Montage Ihrer Tischhalterung haben, lesen Sie bitte die „Nützlichen Hinweise“, die Sie auf der bzw. über die Produktdetailseite der Tischhalterung finden. Wenden Sie sich an den Amazon-Kundendienst Wenn Sie Fragen haben, können Sie sich auch an den Kundendienst von Amazon wenden, indem Sie die Hilfeseite der jeweiligen Website aufrufen und dort am rechten Seitenrand auf „Kontakt“ klicken: www.amazon.com/help, www.amazon.co.uk/help, www.amazon.de/hilfe, www.amazon.fr/aide und www.amazon.cn/help. In den USA können Sie darüber hinaus auf der Produktdetailseite für die Tischhalterung unter „Click to Call“ die Anruhfunktion verwenden.

Erste Schritte



VORSICHT!

Diese Tischhalterung wurde speziell zur Befestigung von Flachbildschirmen mit einer Bildschirmdiagonalen von 25,4 cm – 76,2 cm (10 – 30 Zoll) und einem Gewicht von höchstens 16 kg entwickelt. Die Verwendung dieses Produkts für einen Flachbildschirm, dessen Gewicht oder Abmessungen die genannten Vorgaben überschreiten, kann zu schweren Verletzungen, Schäden am Gerät und sonstigen Sachschäden führen.



ACHTUNG:

1. Beginnen Sie erst mit der Montage der Tischhalterung, wenn Sie die Anleitung und die in diesen Montageanweisungen enthaltenen Warnhinweise gelesen und verstanden haben. Wenn Sie die Anleitung nicht sorgfältig lesen, vollständig verstehen und einhalten, kann dies zu schwerwiegenden Verletzungen und Schäden am Gerät und an den baulichen Anlagen führen. Es liegt in der Verantwortung desjenigen, der die Montage durchführt, sicherzustellen, dass alle Bestandteile nach der bereitgestellten Anleitung ordnungsgemäß zusammengesetzt und montiert wurden.
2. Sollten Sie Fragen haben, die in diesen Montageanweisungen nicht behandelt werden, möchten wir Sie auf die häufig gestellten Fragen im Abschnitt „Nützliche Hinweise“ der Detailseite für die Tischhalterung verweisen oder Sie bitten, sich auf die im Abschnitt „Hilfe“ oben beschriebene Art und Weise mit uns in Verbindung zu setzen. Falls Sie sich hinsichtlich eines in dieser Anleitung beschriebenen Schritts unsicher sind oder nicht wissen, ob Sie in der Lage sind, die Tischhalterung sicher anzubringen, sollten Sie eine kompetente Fachkraft hinzuziehen.
3. Diese Tischhalterung enthält Kleinteile, die beim Verschlucken eine Gefahr darstellen. Daher sollten Sie sie von Kindern fernhalten.
4. Die Tischhalterung darf unter keinen Umständen im Freien angebracht werden. Wird dieses Produkt im Freien verwendet, könnte dies zu Fehlfunktionen und schwerwiegenden Verletzungen oder Schäden am Gerät oder an den baulichen Anlagen führen.
5. Die Befestigung der Tischhalterung an einer Tischplatte muss gemäß dieser Anleitung vorgenommen werden. Verwenden Sie die Tischhalterung nur für die in dieser Anleitung genannten Geräte.
6. Überprüfen Sie, dass alle Schrauben fest angezogen sind, bevor Sie die Tischhalterung mit dem vollen Gewicht des Flachbildschirms belasten. Ziehen Sie die Schrauben fest an, aber überziehen Sie sie nicht. Drehen Sie die Schraube nicht mehr weiter, sobald sie bündig zum Flachbildschirm ist und der Schraubendreher sich schwerer drehen lässt und schließlich keine weitere Drehung mehr möglich ist. Andernfalls laufen Sie Gefahr, die Schraube zu überziehen. Ein Überziehen von Schrauben könnte zu Schäden an der Tischhalterung führen und ihre Tragfähigkeit enorm verringern. Möglicherweise ist ein regelmäßiges Nachziehen der Schrauben notwendig.
7. Die Schrauben sollten problemlos und vollständig in die Montagelöcher des Flachbildschirms eingeschraubt werden. Sollten sich die bereitgestellten Schrauben nicht für das Tischhalterungssystem eignen, darf der Monteur keinesfalls Löcher in den Flachbildschirm oder in die Bestandteile der Tischhalterung bohren. Durch den Einsatz von Schrauben falscher Größe kann der Flachbildschirm beschädigt werden.
8. Heben Sie nicht mehr Gewicht als Sie handhaben können. Wenn nötig, sollten mindestens zwei Personen den Flachbildschirm anheben und auf der Tischhalterung platzieren

Nützliche Hinweise Wenn Sie Fragen zur Montage Ihrer Tischhalterung haben, lesen Sie bitte die „Nützlichen Hinweise“, die Sie auf der bzw. über die Produktdetailseite der Tischhalterung finden. Wenden Sie sich an den Amazon-Kundendienst Wenn Sie Fragen haben, können Sie sich auch an den Kundendienst von Amazon wenden, indem Sie die Hilfeseite der jeweiligen Website aufrufen und dort am rechten Seitenrand auf „Kontakt“ klicken: www.amazon.com/help, www.amazon.co.uk/help, www.amazon.de/hilfe, www.amazon.fr/aide und www.amazon.cn/help. In den USA können Sie darüber hinaus auf der Produktdetailseite für die Tischhalterung unter „Click to Call“ die Anruhfunktion verwenden.

www.levelmount.com

1-888-229-1459

EU: +0044 844 567 2657

UK: 0844 567 2657

Erste Schritte

9. Überprüfen Sie vor der Montage, dass alle in diesen Montageanweisungen aufgeführten Teile der Tischhalterung vollständig vorhanden und unbeschädigt sind. Verwenden Sie niemals beschädigte Teile und versuchen Sie bitte nicht, die Tischhalterung anzubringen, sofern Sie nicht über alle notwendigen Teile verfügen.

10. Es liegt in der Verantwortung desjenigen, der die Montage durchführt, die für die Montage geeignete Stelle und die tragende Fläche auszuwählen, an der die Tischhalterung angebracht wird, und sicherzustellen, dass die Tischhalterung ordnungsgemäß an der Tischplatte befestigt ist. Darüber hinaus liegt es in der Verantwortung desjenigen, der die Montage durchführt, sicherzustellen, dass der Flachbildschirm ordnungsgemäß und sicher und nur unter Verwendung der beigelegten Befestigungsmittel und Bestandteile an der Tischhalterung befestigt ist, und sicherzustellen, dass die Schrauben und Anschlusskabel nicht mit Drähten, Rohren oder Metallteilen in Berührung kommen (dies könnte diese Teile beschädigen oder einen Stromschlag bewirken).

11. Amazon.com, Inc. und seine Tochterunternehmen (zusammen „Amazon“) haben alle notwendigen Maßnahmen getroffen, damit die vorliegenden Montageanweisungen genau und vollständig sind. Amazon erhebt jedoch nicht den Anspruch, dass die hier enthaltenen Informationen alle Details, Bedingungen oder Variationen abdecken oder alle denkbaren Eventualitäten in Verbindung mit der Montage, dem Zusammensetzen oder der Verwendung dieses Produkts behandeln. Amazon gibt keine Zusicherung oder Garantie, sei es ausdrücklich oder stillschweigend, hinsichtlich der Genauigkeit, Vollständigkeit oder der Hinlänglichkeit der in diesem Dokument enthaltenen Informationen. Für Schäden oder Verletzungen, die aus einer unsachgemäßen Montage, Zusammensetzung, Anbringung oder Verwendung resultieren, übernimmt Amazon keine Verantwortung.

Nützliche Hinweise Wenn Sie Fragen zu Ihrer Tischhalterung haben, lesen Sie bitte die „Nützlichen Hinweise“, die Sie auf der bzw. über die Produktdetailseite der Tischhalterung finden. Wenden Sie sich an den Amazon-Kundendienst Sollten Sie Fragen haben, können Sie sich auch an den Kundendienst von Amazon wenden, indem Sie die Hilfeseite der jeweiligen Website aufrufen und dort am rechten Seitenrand auf „Kontakt“ klicken: www.amazon.com/help, www.amazon.co.uk/help, www.amazon.de/hilfe, www.amazon.fr/aide und www.amazon.cn/help. In den USA können Sie darüber hinaus auf der Produktdetailseite für die Tischhalterung unter „Click to Call“ die Anruf Funktion verwenden.

Benötigte Werkzeuge

Mitgeliefert:



Integrierte Wasserwaage

Nicht mitgeliefert



Phillips-Schraubendreher

Nützliche Hinweise Wenn Sie Fragen zur Montage Ihrer Tischhalterung haben, lesen Sie bitte die „Nützlichen Hinweise“, die Sie auf der bzw. über die Produktdetailseite der Tischhalterung finden. Wenden Sie sich an den Amazon-Kundendienst Wenn Sie Fragen haben, können Sie sich auch an den Kundendienst von Amazon wenden, indem Sie die Hilfeseite der jeweiligen Website aufrufen und dort am rechten Seitenrand auf „Kontakt“ klicken: www.amazon.com/help, www.amazon.co.uk/help, www.amazon.de/hilfe, www.amazon.fr/aide und www.amazon.cn/help. In den USA können Sie darüber hinaus auf der Produktdetailseite für die Tischhalterung unter „Click to Call“ die Anruf Funktion verwenden.

www.levelmount.com

1-888-229-1459

EU: +0044 844 567 2657

UK: 0844 567 2657

©2011 Level Mount - Patents Pending

Zusammensetzen/Anbringen

Abbildung 1



Bildschirm mit ebener



Bildschirm mit Aussparung auf

Schritt 1 – Auswahl der passenden Teile je nach Rückseite des Flachbildschirms

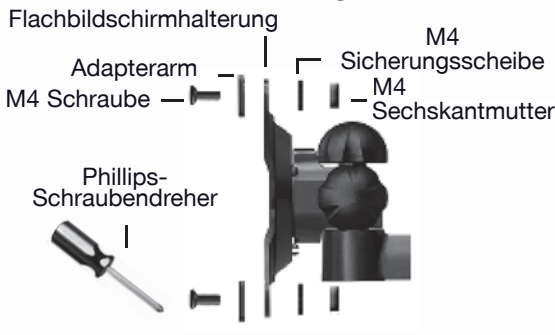
Bevor Sie mit dem Anbringen beginnen, stellen Sie fest, ob die Rückseite Ihres Flachbildschirms eben ist oder eine Aussparung aufweist, wie in Abbildung 1 gezeigt. Weist die Rückseite Ihres Flachbildschirms eine Aussparung auf, müssen Sie möglicherweise die in Abbildung 4 oder 6 gezeigten Abstandhalter (Beutel 1) verwenden. Mit dem Abstandhalter wird die Aussparung auf der Geräterückseite überbrückt, so dass die Halterung für den Flachbildschirm vollkommen bündig mit der Geräterückseite ist und auf dieser aufliegt.

Schritt 2 – Anbringen der Adapterarme (falls erforderlich)

Falls die Löcher in der Flachbildschirmhalterung nicht mit den Löchern an der Geräterückseite übereinstimmen, bohren Sie bitte keine neuen Löcher. Befolgen Sie vielmehr diese Anleitung zum Anbringen der Adapterarme. Andernfalls lesen Sie bitte bei Schritt 3 weiter.

Hinweis: Die Adapterarme können für Flachbildschirme mit einer VESA-Lochanordnung mit einem Abstand von 200 mm x 100 mm verwendet werden. Den VESA-Lochabstand Ihres Flachbildschirms entnehmen Sie bitte dem Handbuch/den Kennzeichnungen des Geräts. .

Abbildung 2



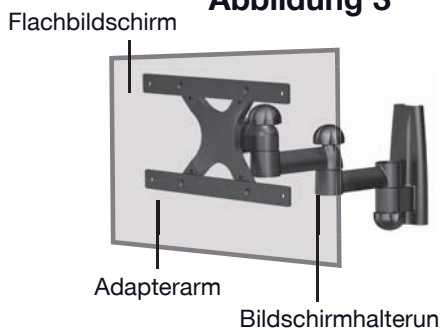
Schritt 2a – Anbringen der Adapterarme an der Flachbildschirmhalterung

Befestigen Sie den ersten Satz Adapterarme an der Halterung des Flachbildschirms und verwenden Sie dazu die in Abbildung 2 gezeigten Teile:

- Phillips-Schraube M4 (Beutel 4)
- Adapterarme
- Flachbildschirmhalterung
- Sicherungsscheiben M4 (Beutel 4)
- Sechskantmutter M4 (Beutel 4)

Passen Sie die Position der in Abbildung 2 gezeigten Schrauben so an, dass die Adapterarme bewegt und auf die Löcher an der Bildschirmrückseite ausgerichtet werden können.

Abbildung 3



Schritt 2b – Abschließende Montage der Adapterarme

Befestigen Sie beide Adapterarme auf dieselbe Weise. Den fertigen Zustand zeigt das Foto in Abbildung 3.

Nützliche Hinweise Wenn Sie Fragen zur Montage Ihrer Tischhalterung haben, lesen Sie bitte die „Nützlichen Hinweise“, die Sie auf der bzw. über die Produktdetailseite der Tischhalterung finden. Wenden Sie sich an den Amazon-Kundendienst Wenn Sie Fragen haben, können Sie sich auch an den Kundendienst von Amazon wenden, indem Sie die Hilfeseite der jeweiligen Website aufrufen und dort am rechten Seitenrand auf „Kontakt“ klicken: www.amazon.com/help, www.amazon.co.uk/help, www.amazon.de/hilfe, www.amazon.fr/aide und www.amazon.cn/help. In den USA können Sie darüber hinaus auf der Produktdetailseite für die Tischhalterung unter „Click to Call“ die Anruhfunktion verwenden.

www.levelmount.com

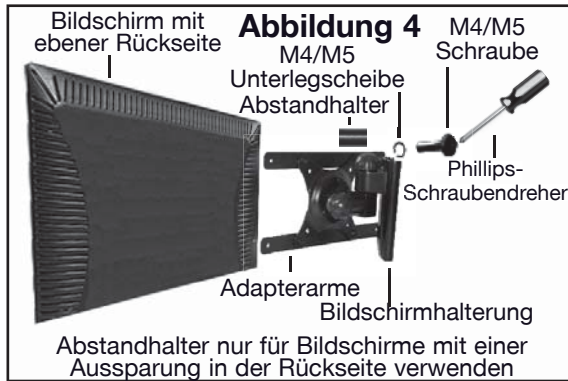
1-888-229-1459

EU: +0044 844 567 2657

UK: 0844 567 2657

©2011 Level Mount - Patents Pending

Zusammensetzen/Anbringen



Schritt 2c – Anbringen der Adapterarme an der Rückseite des Flachbildschirms

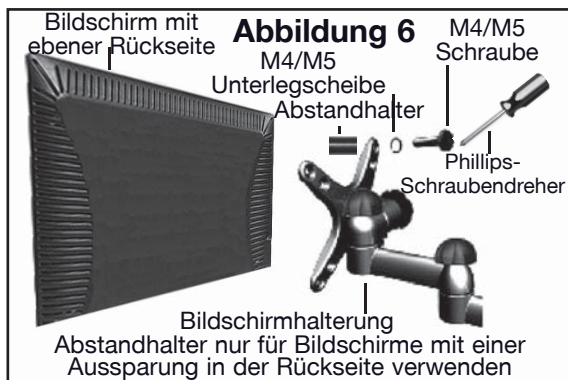
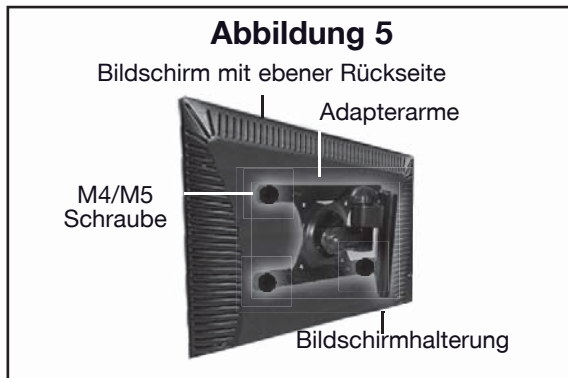
In diesem Paket sind (in Beutel 1 und 2) Schrauben unterschiedlicher Länge enthalten. Bitte verwenden Sie die Schraube der für Ihren Flachbildschirm geeigneten Länge.

- Schraube M4 (Beutel 1) oder Schraube M5 (Beutel 2)
- Unterlegscheibe M4 (Beutel 1) oder Unterlegscheibe M5 (Beutel 2)
- Möglicherweise ist eine weitere Unterlegscheibe notwendig, um zu verhindern, dass der Schraubenkopf in der Geräterückseite versinkt.
- Adapterarm
- Abstandhalter (Beutel 1) Nur bei Flachbildschirmen erforderlich, deren Rückseite eine Aussparung aufweist.

Um die Adapterarme an der Rückseite des Flachbildschirms anzubringen, befestigen Sie die Adapterarme mithilfe der oben angegebenen Teile waagrecht an der Bildschirmhalterung. Führen Sie die 2 Schrauben für jeden Arm durch die Löcher der Adapterarme und schrauben Sie die Schrauben vorsichtig in die Löcher in der Rückseite des Flachbildschirms. Sollten Sie dabei einen Widerstand spüren, entfernen Sie die Schraube unverzüglich und wählen Sie eine Schraube korrekter Größe, die sicher und genau passt.

Schrauben Sie die Schrauben wie in Abbildung 5 gezeigt in die Geräterückseite und ziehen Sie sie fest an. Lesen Sie dann bei Schritt 4 weiter.

Vorsicht: Ziehen Sie die Schrauben nur an, bis sie fest eingeschraubt sind – überziehen Sie sie nicht.



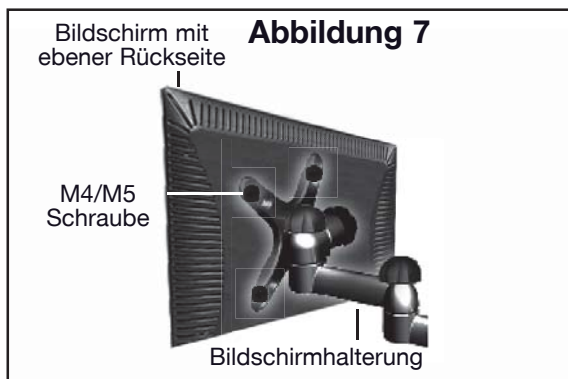
Schritt 3 – Anbringen der Flachbildschirmhalterung an der Rückseite des Flachbildschirms

In diesem Paket sind (in Beutel 1 und 2) Schrauben unterschiedlicher Länge enthalten. Bitte verwenden Sie die Schraube in der für Ihren Flachbildschirm geeigneten Länge.

- Schraube M4 (Beutel 1) oder Schraube M5 (Beutel 2)
- Unterlegscheibe M4 (Beutel 1) oder Unterlegscheibe M5 (Beutel 2)
- Möglicherweise ist eine weitere Unterlegscheibe notwendig, um zu verhindern, dass der Schraubenkopf in der Geräterückseite versinkt.
- Adapterarm
- Abstandhalter (Beutel 1) Nur bei Flachbildschirmen erforderlich, deren Rückseite eine Aussparung aufweist.

Um die Flachbildschirmhalterung an der Rückseite des Flachbildschirms anzubringen, führen Sie bitte 4 Schrauben durch die Löcher der Flachbildschirmhalterung und schrauben diese vorsichtig in die Löcher in der Rückseite des Flachbildschirms. Sollten Sie dabei einen Widerstand spüren, entfernen Sie die Schraube unverzüglich und wählen Sie eine Schraube korrekter Größe, die sicher und genau passt. Schrauben Sie die Schrauben, wie in Abbildung 7 gezeigt, in die Geräterückseite und ziehen Sie sie fest an.

Vorsicht: Ziehen Sie die Schrauben nur an, bis sie fest eingeschraubt sind – überziehen Sie sie nicht.



Nützliche Hinweise Wenn Sie Fragen zur Montage Ihrer Tischhalterung haben, lesen Sie bitte die „Nützlichen Hinweise“, die Sie auf der bzw. über die Produktdetailseite der Tischhalterung finden. Wenden Sie sich an den Amazon-Kundendienst Wenn Sie Fragen haben, können Sie sich auch an den Kundendienst von Amazon wenden, indem Sie die Hilfeseite der jeweiligen Website aufrufen und dort am rechten Seitenrand auf „Kontakt“ klicken: www.amazon.com/help, www.amazon.co.uk/help, www.amazon.de/hilfe, www.amazon.fr/aide und www.amazon.cn/help. In den USA können Sie darüber hinaus auf der Produktdetailseite für die Tischhalterung unter „Click to Call“ die Anruhfunktion verwenden.

www.levelmount.com

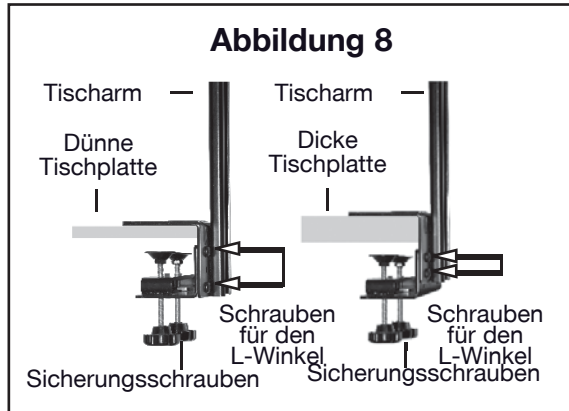
1-888-229-1459

EU: +0044 844 567 2657

UK: 0844 567 2657

©2011 Level Mount - Patents Pending

Zusammensetzen/Anbringen



Schritt 4 – Befestigen des Tischarms und der Befestigungsplatte am (Schreib-)Tisch

Platzieren Sie den L-Winkel des Tischarms, wie in Abbildung 8 gezeigt, auf der Tischplatte. Drehen Sie die Sicherungsschrauben in Uhrzeigerichtung, bis sie eng an der Tischplatte anliegen, wie in Abbildung 9 gezeigt.

In den meisten Fällen befinden sich die Schrauben des L-Winkels bereits in der richtigen Position. In einigen Fällen muss der L-Winkel aufgrund der Dicke der Tischplatte angepasst werden. Um die Position der Schrauben im L-Winkel anzupassen, schrauben Sie diese Schrauben einfach heraus und passen Sie den Winkel der Tischplatte an. Ziehen Sie die Schrauben danach wieder fest an.

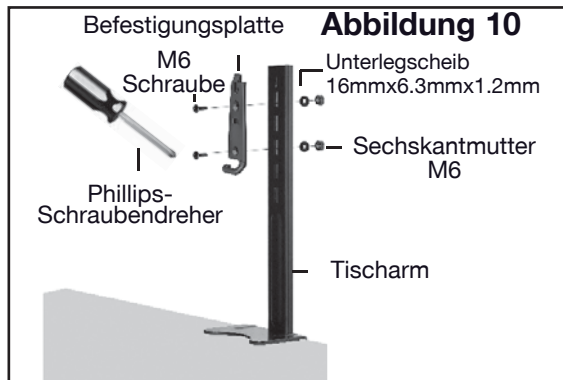
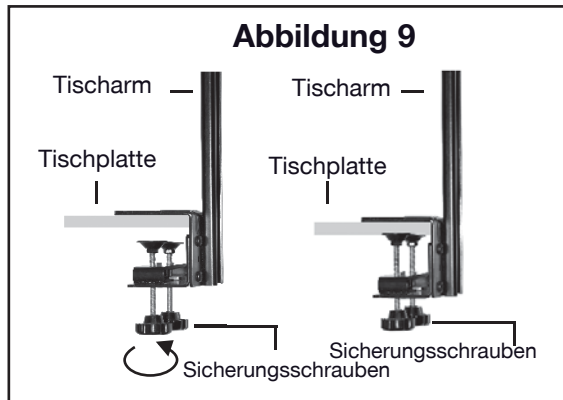
Vorsicht: Der L-Winkel passt nur, wenn der Rand der Tischplatte zwischen 1,27 und 6,35 Zentimeter dick und mindestens

5,08 Zentimeter tief ist. Wenn der Rand der Tischplatte nicht aus massivem Holz besteht, müssen Sie sicherstellen, dass er das Gewicht der Halterung und des Monitors/Bildschirms tragen kann.

Befestigen Sie, wie in Abbildung 10 gezeigt, die Befestigungsplatte mithilfe der Löcher im Tischarm in der gewünschten Höhe – abhängig von der Größe des Flachbildschirms. Verwenden Sie dazu folgende Teile aus Beutel 3:

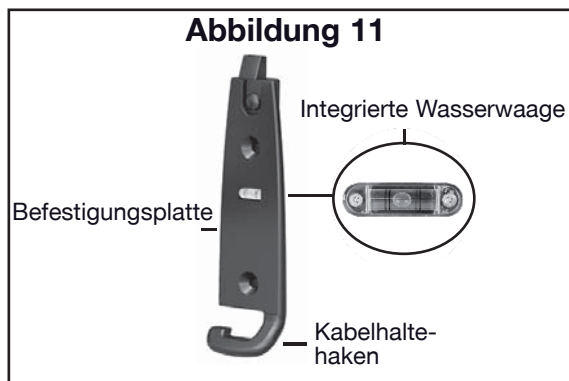
- Schrauben M6 (Beutel 3)
- Befestigungsplatte
- Tischarm
- Unterlegscheibe 16 mm x 6,3 mm x 1,2 mm (Beutel 3)
- Sechskantmutter M6 (Beutel 3)

Mithilfe der in die Befestigungsplatte integrierten Wasserwaage können Sie sicherstellen, dass der Flachbildschirm waagrecht am Tischarm angebracht ist. Mithilfe des Kabelhaltehakens (in Abbildung 11 gezeigt) unten an der Befestigungsplatte lassen sich die Kabel des Flachbildschirms sammeln, um sie durch die Kabelabdeckung zu führen.



Heben Sie den Flachbildschirm mit der daran befestigten Flachbildschirmhalterung auf eine Höhe oberhalb der am Tischarm befestigten Befestigungsplatte an. Platzieren Sie die Rückseite der Flachbildschirmhalterung oberhalb der Befestigungsplatte und schieben Sie die Flachbildschirmhalterung nach unten, bis sie, wie in Abbildung 12 gezeigt, in der Befestigungsplatte einrastet.

Wenn die Flachbildschirmhalterung an der Befestigungsplatte und diese am Tischarm befestigt ist, sieht die Tischhalterung so aus wie in Abbildung 13



Nützliche Hinweise Wenn Sie Fragen zur Montage Ihrer Tischhalterung haben, lesen Sie bitte die „Nützlichen Hinweise“, die Sie auf der bzw. über die Produktdetailseite der Tischhalterung finden. Wenden Sie sich an den Amazon-Kundendienst Wenn Sie Fragen haben, können Sie sich auch an den Kundendienst von Amazon wenden, indem Sie die Hilfeseite der jeweiligen Website aufrufen und dort am rechten Seitenrand auf „Kontakt“ klicken: www.amazon.com/help, www.amazon.co.uk/help, www.amazon.de/hilfe, www.amazon.fr/aide und www.amazon.cn/help. In den USA können Sie darüber hinaus auf der Produktdetailseite für die Tischhalterung unter „Click to Call“ die Anruhfunktion verwenden.

www.levelmount.com

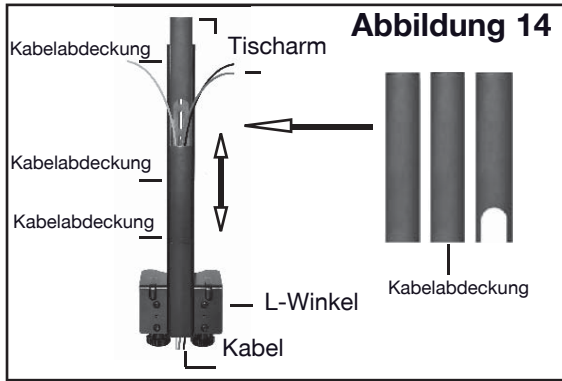
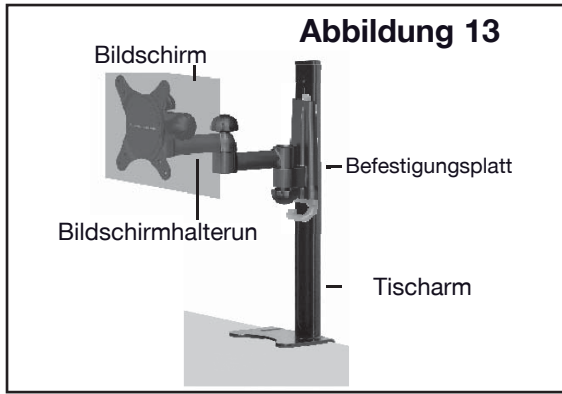
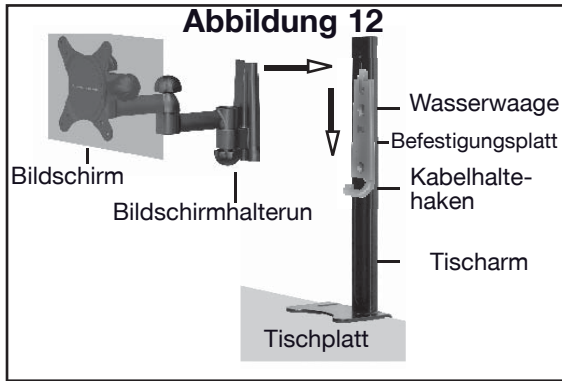
1-888-229-1459

EU: +0044 844 567 2657

UK: 0844 567 2657

©2011 Level Mount - Patents Pending

Zusammensetzen/Anbringen



Schritt 5 – Anbringen der Abdeckungen für die Kabelführung

Um die Kabel des Flachbildschirms zu ordnen und zu verdecken, schieben Sie, wie in Abbildung 14 gezeigt, die Kabelabdeckung über die Kabel und an der Rückseite des Tischarms nach unten. Beginnen Sie mit den rechteckigen Kabelabdeckungen, die am unteren Ende offen sind, so dass Sie die Stecker in eine Steckdose stecken können. Bringen Sie die U-förmig ausgeschnittene Kabelabdeckung zuletzt an, so dass Sie die Kabel am Flachbildschirm anschließen können.

Nützliche Hinweise Wenn Sie Fragen zur Montage Ihrer Tischhalterung haben, lesen Sie bitte die „Nützlichen Hinweise“, die Sie auf der bzw. über die Produktdetailseite der Tischhalterung finden. Wenden Sie sich an den Amazon-Kundendienst Wenn Sie Fragen haben, können Sie sich auch an den Kundendienst von Amazon wenden, indem Sie die Hilfeseite der jeweiligen Website aufrufen und dort am rechten Seitenrand auf „Kontakt“ klicken: www.amazon.com/help, www.amazon.co.uk/help, www.amazon.de/hilfe, www.amazon.fr/aide und www.amazon.cn/help. In den USA können Sie darüber hinaus auf der Produktdetailseite für die Tischhalterung unter „Click to Call“ die Anruhfunktion verwenden.

www.levelmount.com

1-888-229-1459

EU: +0044 844 567 2657

UK: 0844 567 2657

©2011 Level Mount - Patents Pending



© 2011. All rights reserved. Patents Pending. Level Mount is a trademark of Alexa Consumer Products, Inc. All other trademarks are the property of their respective owners.

© 2011. Tous droits réservés. Brevets en instance Level Mount est une marque déposée de Alexa Consumer Products, Inc. Toutes les autres marques de commerce appartiennent à leurs propriétaires ou détenteurs respectifs.

© 2011. Todos los derechos reservados. Pendiente de patente. Level Mount es una marca registrada de Alexa Consumer Products, Inc. El resto de marcas registradas pertenecen a sus correspondientes dueños.